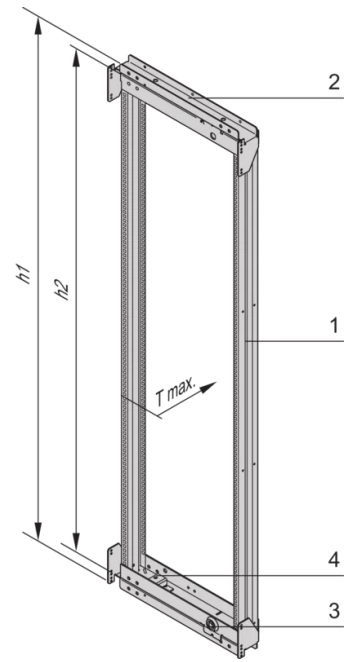
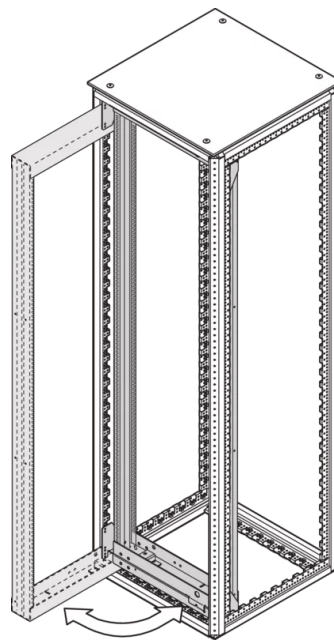
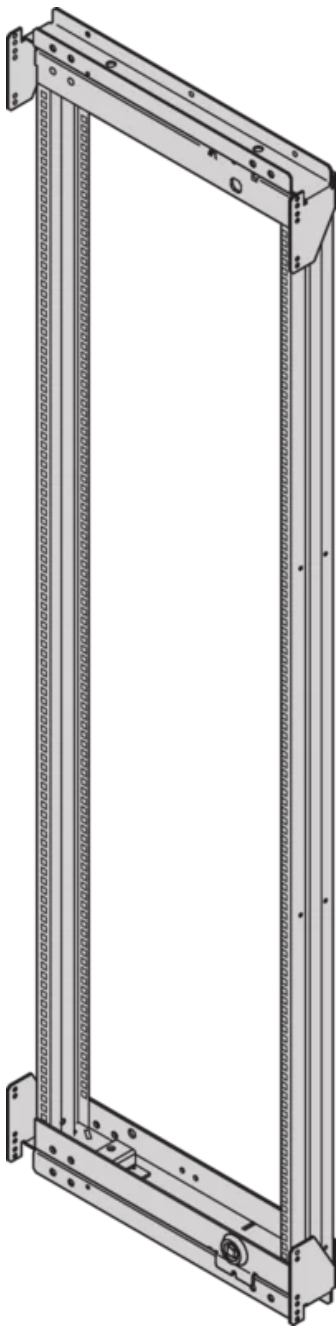




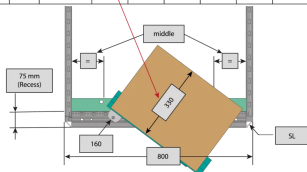
SCHROFF

21630-681 VARISTAR CP SWING CABINET FRAME FOR 800 MM WIDTH, 160°, 29  
U



Max Equipment Depth in mm

| Cabinet Width in mm | Swing Frame version | Swing Frame mounting position | 72 mm recess (standard position) |           | 112.5 mm recess |           | 162.5 mm recess |           |
|---------------------|---------------------|-------------------------------|----------------------------------|-----------|-----------------|-----------|-----------------|-----------|
|                     |                     |                               | SlimLine                         | HeavyDuty | SlimLine        | HeavyDuty | SlimLine        | HeavyDuty |
| 600                 | 120°                | middle                        | 200                              |           |                 |           |                 |           |
|                     |                     | left/right                    | 380                              | 365       | 380             |           |                 |           |
| 800                 | 120°                | left/right                    | 515                              | 500       |                 |           |                 | 515       |
|                     |                     | middle                        | 430                              | 305       | 330             | 305       | 330             |           |
|                     | 160°                | middle                        | 475                              | 455       | 470             | 455       | 470             | 455       |
|                     |                     | left/right                    | 475                              | 455       | 470             | 455       | 470             | 455       |



## KEY FEATURES

For full height or partial-height mounting

Pivot point can be selected right or left

Can accommodate 19" chassis and 19" subracks

120° / 160° hinge, square locks including 2 keys

Load-carrying capacity 150 kg

Usable height within the swing frame is 4U lesser than the frame height to which the swing frame is attached to.

## PRODUCT ATTRIBUTES

---

Product Type: Cabinet/Rack Frame

Product Family: Varistar CP

Material: Steel

Color: Black Grey

Color Code: RAL 7021

Rack Height: 29 U

Height: 1400 mm

Width: 800 mm

Protection Rating: IP20

## ADDITIONAL PRODUCT DETAILS

---

The 19" swing frame allows the installation of sub-racks while simultaneously making wiring at the rear accessible.

Varistar CP swing frame comes with 150 KG load capacity, 120° / 160° movement and flexible pivot point.

By aid of depth members 19" swing frames can be assembled directly on the cabinet frame or in depth-adjustable increments of 50 mm.

Please purchase the grounding kit separately.

### North America

All locations

+1.763.422.2661

Chat with us:

[schroff.nvent.com](https://schroff.nvent.com)

### Europe

Straubenhardt, Germany

+49.7082.794.0

Betschdorf, France

+33.3.88.90.64.90

Warsaw, Poland

+48.22.209.98.35

Assago, Italy

+39.02.932.7141

Chat with us:

[schroff.nvent.com](https://schroff.nvent.com)

### Asia

Shanghai, China

+86.21.2412.6943

Qingdao, China

+86.532.8771.6101

Singapore

+65.6768.5800

Shin-Yokohama, Japan

+81.45.476.0271

Chat with us:

[schroff.nvent.com](https://schroff.nvent.com)

### Middle East & India

Dubai, United Arab Emirates

+971.4.378.1700

Bangalore, India

+91.80.6715.2001

Istanbul, Turkey

+90.216.250.7374

Chat with us:

[schroff.nvent.com](https://schroff.nvent.com)



Our powerful portfolio of brands:  
[nVent.com](https://nVent.com) **CADDY ERICO HOFFMAN RAYCHEM SCHROFF TRACER**

© 2024 nVent. All nVent marks and logos are owned or licensed by nVent Services GmbH or its affiliates. All other trademarks are the property of their respective owners.

nVent reserves the right to change specifications without notice.