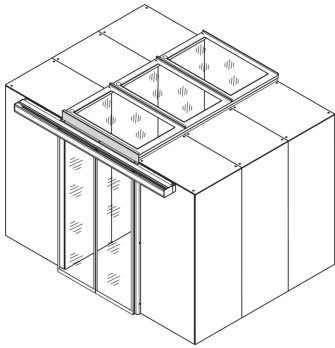


## 21130-040 AISLE CONTAINMENT DOOR ADAPTER PANEL, 80H, RAL 7021



### KEY FEATURES

---

Cover to close gaps above the containment door

### PRODUCT ATTRIBUTES

---

Product Type: Cover

Type: Above Door Filler Panel, Sliding Door

Works With: Aisle Containment

Height: 102 mm

Width: 1200 mm

Material: Steel

Color: Black Grey

Color Code: RAL 7021

### ADDITIONAL PRODUCT DETAILS

---

Blanking panels for different aisle containment heights to avoid air leakage at aisle.

Trim covers upper area over door to the top cover.



**North America**

All locations  
+1.763.422.2661  
Chat with us:  
[schroff.nvent.com](https://schroff.nvent.com)

**Europe**

Straubenhardt, Germany  
+49.7082.794.0  
Betschdorf, France  
+33.3.88.90.64.90  
Warsaw, Poland  
+48.22.209.98.35  
Assago, Italy  
+39.02.932.7141  
Chat with us:  
[schroff.nvent.com](https://schroff.nvent.com)

**Asia**

Shanghai, China  
+86.21.2412.6943  
Qingdao, China  
+86.532.8771.6101  
Singapore  
+65.6768.5800  
Shin-Yokohama, Japan  
+81.45.476.0271  
Chat with us:  
[schroff.nvent.com](https://schroff.nvent.com)

**Middle East & India**

Dubai, United Arab Emirates  
+971.4.378.1700  
Bangalore, India  
+91.80.6715.2001  
Istanbul, Turkey  
+90.216.250.7374  
Chat with us:  
[schroff.nvent.com](https://schroff.nvent.com)



Our powerful portfolio of brands:  
[nVent.com](https://nVent.com) **CADDY ERICO HOFFMAN RAYCHEM SCHROFF TRACER**