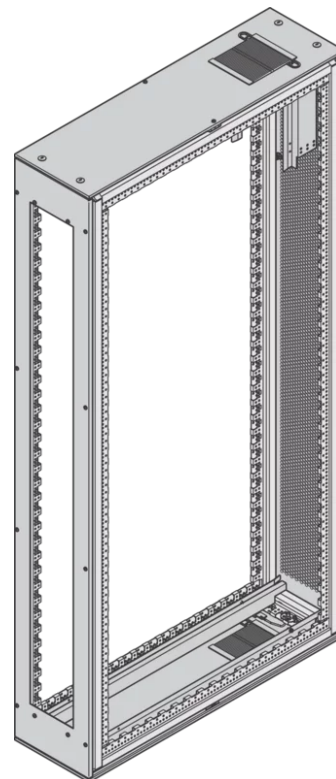
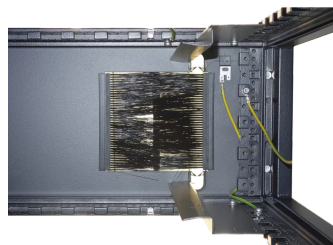
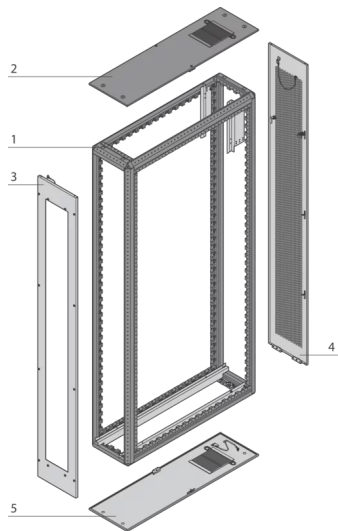


10130-227 VARISTAR SHX 30 CONTAINMENT RACK, RAL 7021, COOLING ELEMENTS, 42 U, 2000H, 300W, 1200D



### KEY FEATURES

Varistar Slim-Line frame for SHX 30

Incl. covers for top, bottom, front and rear panels

Plinths or levelling feet available as accessories

### PRODUCT ATTRIBUTES

Product Type: Rack

Height: 2000 mm

Width: 300 mm

Depth: 1200 mm

## ADDITIONAL PRODUCT DETAILS

---

The narrow 300 mm / 12" width Varistar Slim-Line frame is designed to accommodate the SHX 30 In-Row cooler for seamless integration into Varistar aisle containments.

## CERTIFICATIONS

---



### North America

All locations  
+1.763.422.2661  
Chat with us:  
[schroff.nvent.com](https://schroff.nvent.com)

### Europe

Straubenhardt, Germany  
+49.7082.794.0  
Betschdorf, France  
+33.3.88.90.64.90  
Warsaw, Poland  
+48.22.209.98.35  
Assago, Italy  
+39.02.932.7141  
Chat with us:  
[schroff.nvent.com](https://schroff.nvent.com)

### Asia

Shanghai, China  
+86.21.2412.6943  
Qingdao, China  
+86.532.8771.6101  
Singapore  
+65.6768.5800  
Shin-Yokohama, Japan  
+81.45.476.0271  
Chat with us:  
[schroff.nvent.com](https://schroff.nvent.com)

### Middle East & India

Dubai, United Arab Emirates  
+971.4.378.1700  
Bangalore, India  
+91.80.6715.2001  
Istanbul, Turkey  
+90.216.250.7374  
Chat with us:  
[schroff.nvent.com](https://schroff.nvent.com)



Our powerful portfolio of brands:  
[nVent.com](https://nVent.com) **CADDY ERICO HOFFMAN RAYCHEM SCHROFF TRACER**

© 2023 nVent. All nVent marks and logos are owned or licensed by nVent Services GmbH or its affiliates. All other trademarks are the property of their respective owners.

nVent reserves the right to change specifications without notice.