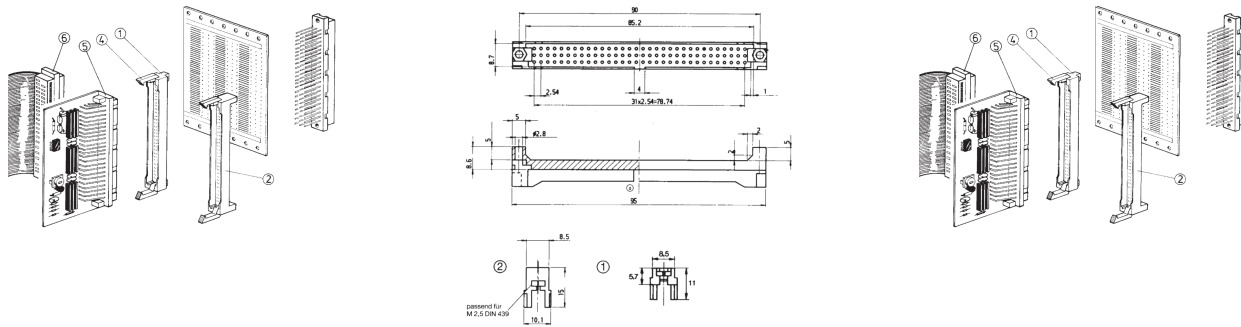


69001-995 CONNECTOR HOUSING, BLANK, LOCKING LEVER, FORM R



KEY FEATURES

Locking levers can be used to fix e.g. terminator boards or I/O connectors in place

The connector housing is fixed to the board with the screws; it is installed over wire wrap post (e.g. on the rear of backplanes) and thereby forms a male connector

For types C and R

PRODUCT ATTRIBUTES

Product Type: Connector Housing

Works With: Connectors

ADDITIONAL PRODUCT DETAILS

Locking levers can be used to fix e.g. terminator boards or I/O connectors in place.

CERTIFICATIONS



North America

All locations

+1.763.422.2661

Chat with us:

schroff.nvent.com

Europe

Straubenhardt, Germany

+49.7082.794.0

Betschdorf, France

+33.3.88.90.64.90

Warsaw, Poland

+48.22.209.98.35

Assago, Italy

+39.02.932.7141

Chat with us:

schroff.nvent.com

Asia

Shanghai, China

+86.21.2412.6943

Qingdao, China

+86.532.8771.6101

Singapore

+65.6768.5800

Shin-Yokohama, Japan

+81.45.476.0271

Chat with us:

schroff.nvent.com

Middle East & India

Dubai, United Arab Emirates

+971.4.378.1700

Bangalore, India

+91.80.6715.2001

Istanbul, Turkey

+90.216.250.7374

Chat with us:

schroff.nvent.com



Our powerful portfolio of brands:
nVent.com **CADDY ERICO HOFFMAN RAYCHEM SCHROFF TRACER**

© 2023 nVent. All nVent marks and logos are owned or licensed by nVent Services GmbH or its affiliates. All other trademarks are the property of their respective owners.

nVent reserves the right to change specifications without notice.