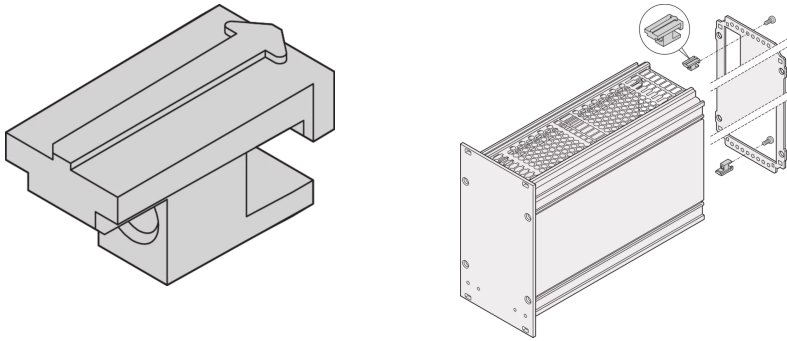


24812-401 FRAME TYPE PLUG-IN UNIT REAR PANEL FASTENER, 5 PAIRS



KEY FEATURES

For connection of rear Panel with cover plate

To increase robustness of wide frame type plug-in units

Suitable for plug-in unit cover plates, with perforation for guide rails

For improved EMC contact between rear Panel and cover plate

PRODUCT ATTRIBUTES

Product Type: Hardware Kit

Works With: Cassettes

ADDITIONAL PRODUCT DETAILS

Rear Panel Fastener for frame type plug-in units, kit with fixing screws. To increase the robustness of wider frame type plug-in units.

The rear Panel retainer (24812-402) and retention screw (24560-148) are also available as separate items, 100-pieces; see Accessories.

CERTIFICATIONS



North America

All locations

+1.763.422.2661

Chat with us:

schroff.nvent.com

Europe

Straubenhardt, Germany

+49.7082.794.0

Betschdorf, France

+33.3.88.90.64.90

Warsaw, Poland

+48.22.209.98.35

Assago, Italy

+39.02.932.7141

Chat with us:

schroff.nvent.com

Asia

Shanghai, China

+86.21.2412.6943

Qingdao, China

+86.532.8771.6101

Singapore

+65.6768.5800

Shin-Yokohama, Japan

+81.45.476.0271

Chat with us:

schroff.nvent.com

Middle East & India

Dubai, United Arab Emirates

+971.4.378.1700

Bangalore, India

+91.80.6715.2001

Istanbul, Turkey

+90.216.250.7374

Chat with us:

schroff.nvent.com



Our powerful portfolio of brands:
nVent.com **CADDY ERICO HOFFMAN RAYCHEM SCHROFF TRACER**

© 2023 nVent. All nVent marks and logos are owned or licensed by nVent Services GmbH or its affiliates. All other trademarks are the property of their respective owners.

nVent reserves the right to change specifications without notice.