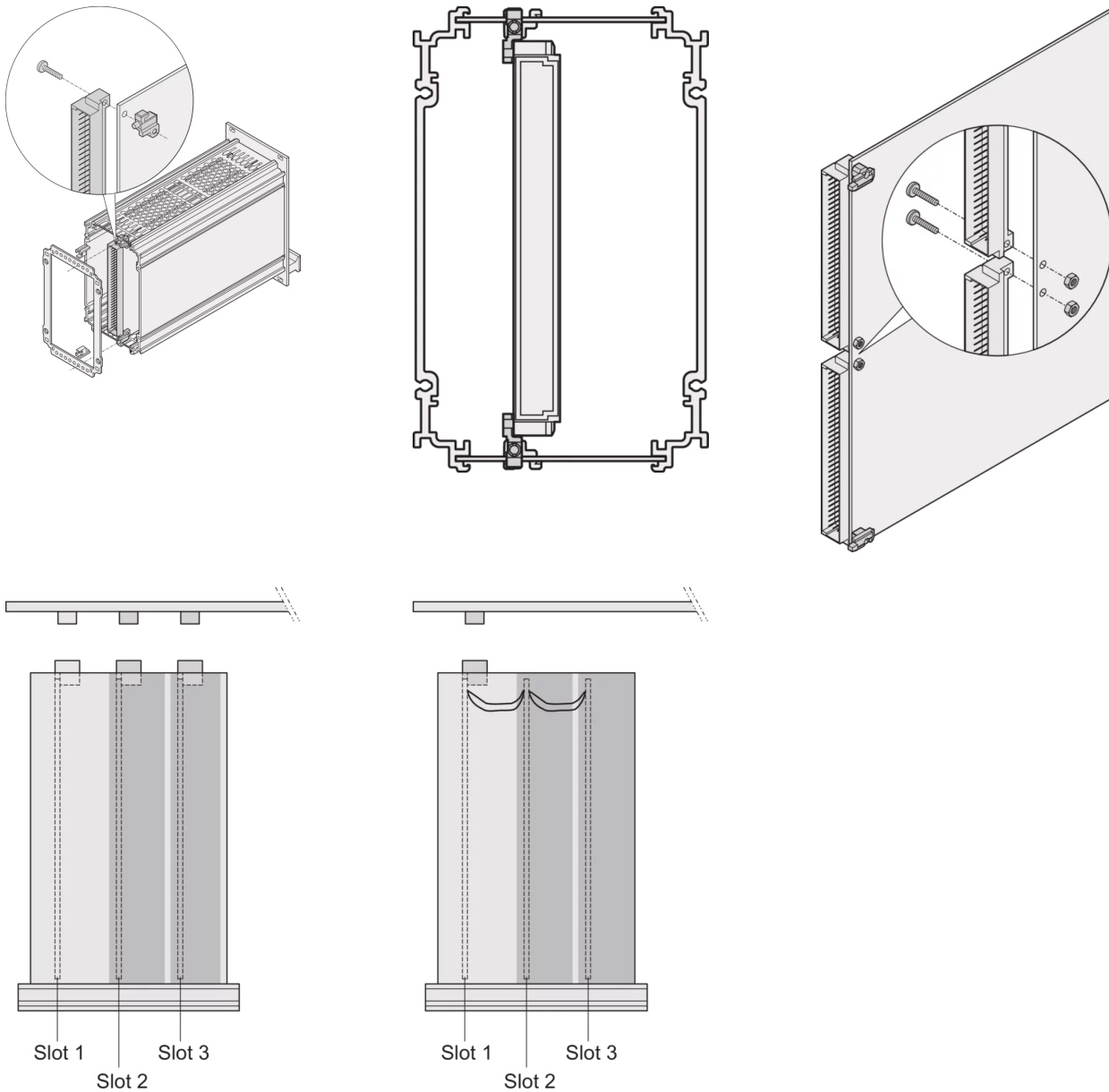


24812-301 FRAME TYPE PLUG-IN UNIT PCB MOUNTING SUPPORT FROM SLOT 2 ON, 5 PAIRS



**KEY FEATURES**

PCB is inserted into the guide rails mounted inside the plug-in unit

Fixing occurs when the rear Panel is fitted

Suitable for frame type plug-in units with guide rails

## PRODUCT ATTRIBUTES

---

Product Type: Hardware Kit

Type: Board Fixing, Slot 2

Works With: Cassettes

## ADDITIONAL PRODUCT DETAILS

---

PCB is inserted into the guide groove of the left side Panel or that of the side Panel rear angle, From Slot 2 on.

Torx panhead screw (24560-178) is required to fix PCB without connector. Torx panhead screw (24812-600) is required to fix connector to PCB, in 6 U frame type plug-in units (center).

## CERTIFICATIONS

---



### North America

All locations  
+1.763.422.2661  
Chat with us:  
[schroff.nvent.com](https://schroff.nvent.com)

### Europe

Straubenhardt, Germany  
+49.7082.794.0  
Betschdorf, France  
+33.3.88.90.64.90  
Warsaw, Poland  
+48.22.209.98.35  
Assago, Italy  
+39.02.932.7141  
Chat with us:  
[schroff.nvent.com](https://schroff.nvent.com)

### Asia

Shanghai, China  
+86.21.2412.6943  
Qingdao, China  
+86.532.8771.6101  
Singapore  
+65.6768.5800  
Shin-Yokohama, Japan  
+81.45.476.0271  
Chat with us:  
[schroff.nvent.com](https://schroff.nvent.com)

### Middle East & India

Dubai, United Arab Emirates  
+971.4.378.1700  
Bangalore, India  
+91.80.6715.2001  
Istanbul, Turkey  
+90.216.250.7374  
Chat with us:  
[schroff.nvent.com](https://schroff.nvent.com)



Our powerful portfolio of brands:  
[nVent.com](https://nVent.com) **CADDY ERICO HOFFMAN RAYCHEM SCHROFF TRACER**

© 2023 nVent. All nVent marks and logos are owned or licensed by nVent Services GmbH or its affiliates. All other trademarks are the property of their respective owners.

nVent reserves the right to change specifications without notice.