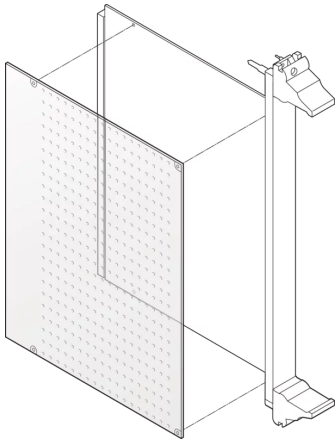


24579-037 PCB SOLDER SIDE COVER, CPCI, 3 U, 100 MM X 160 MM,



KEY FEATURES

Cover is perforated for better cooling of components

Mechanical protection of solder side

PRODUCT ATTRIBUTES

Product Type: Cover

Type: Solder Side Cover

Works With: Front Panels

Rack Height: 3 U

Width: 100 mm

Depth: 160 mm

ADDITIONAL PRODUCT DETAILS

A solder side cover protects the solder side of a PCB mechanically.

Fixing clips are required for mounting the perforated covers; please order separately.



North America

All locations
+1.763.422.2661
Chat with us:
schroff.nvent.com

Europe

Straubenhardt, Germany
+49.7082.794.0
Betschdorf, France
+33.3.88.90.64.90
Warsaw, Poland
+48.22.209.98.35
Assago, Italy
+39.02.932.7141
Chat with us:
schroff.nvent.com

Asia

Shanghai, China
+86.21.2412.6943
Qingdao, China
+86.532.8771.6101
Singapore
+65.6768.5800
Shin-Yokohama, Japan
+81.45.476.0271
Chat with us:
schroff.nvent.com

Middle East & India

Dubai, United Arab Emirates
+971.4.378.1700
Bangalore, India
+91.80.6715.2001
Istanbul, Turkey
+90.216.250.7374
Chat with us:
schroff.nvent.com



Our powerful portfolio of brands:
nVent.com **CADDY ERICO HOFFMAN RAYCHEM SCHROFF TRACER**