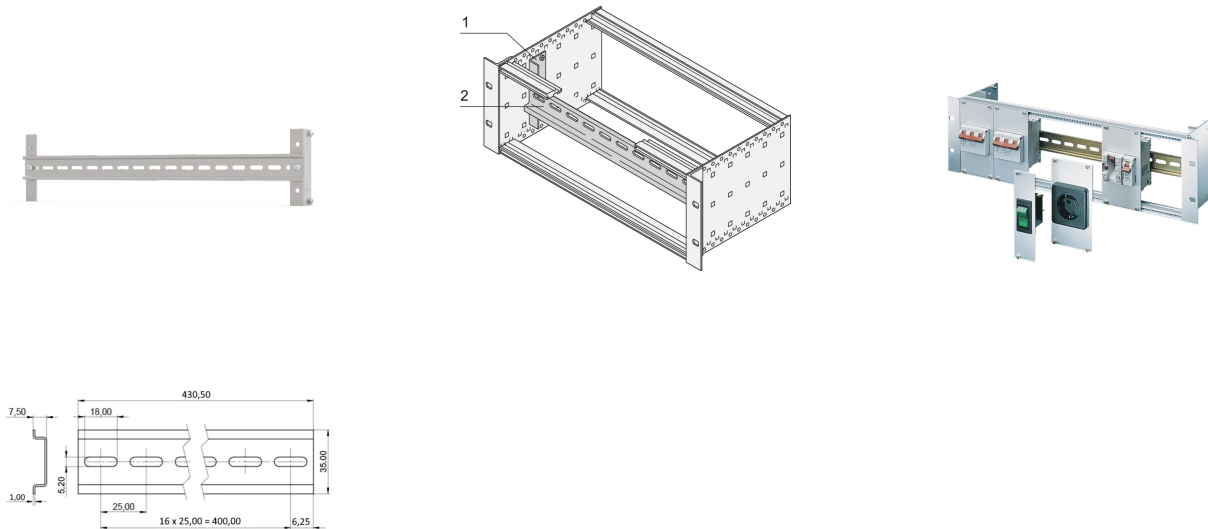


24565-100 EUROPACPRO SUPPORT RAIL TO DIN 43880 AND DIN 60715



KEY FEATURES

For retainer of modules in accordance with DIN 43880 and DIN 60715 like e.g. fuses or circuit breakers

For assembly on 19" module support

Support Rail, 430.5 x 35 x 7.5 mm

PRODUCT ATTRIBUTES

Product Type: Support Rail

Product Family: EuropacPRO

Works With: Subracks

Material: Steel; Aluminium

Rack Width: 84 HP

Width: 441.4 mm

Depth: 37.5 mm

Package Quantity: 1

Height: 100 mm

ADDITIONAL PRODUCT DETAILS

Support rail to clip on retainer of modules in accordance with DIN 43880 like fuses or circuit breakers.

CERTIFICATIONS



North America

All locations
+1.763.422.2661
Chat with us:
schroff.nvent.com

Europe

Straubenhardt, Germany
+49.7082.794.0
Betschdorf, France
+33.3.88.90.64.90
Warsaw, Poland
+48.22.209.98.35
Assago, Italy
+39.02.932.7141
Chat with us:
schroff.nvent.com

Asia

Shanghai, China
+86.21.2412.6943
Qingdao, China
+86.532.8771.6101
Singapore
+65.6768.5800
Shin-Yokohama, Japan
+81.45.476.0271
Chat with us:
schroff.nvent.com

Middle East & India

Dubai, United Arab Emirates
+971.4.378.1700
Bangalore, India
+91.80.6715.2001
Istanbul, Turkey
+90.216.250.7374
Chat with us:
schroff.nvent.com



Our powerful portfolio of brands:
nVent.com **CADDY ERICO HOFFMAN RAYCHEM SCHROFF TRACER**

© 2023 nVent. All nVent marks and logos are owned or licensed by nVent Services GmbH or its affiliates. All other trademarks are the property of their respective owners.

nVent reserves the right to change specifications without notice.