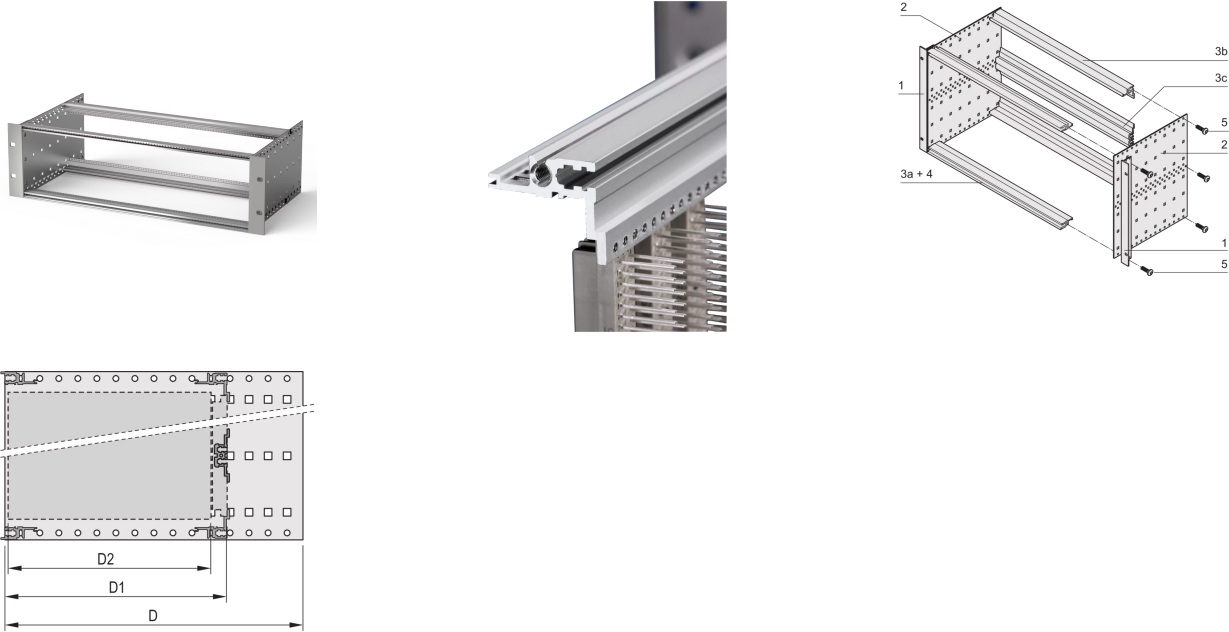


24563-491 EUROPACPRO 19" SUBRACK KIT FOR DIN CONNECTOR, RETROFIT SHIELDING, 6 U, 175 MM



KEY FEATURES

Subrack with side panel type F ("flexible"), front 19" bracket included, depth-adjustable 19" bracket sold separately (not included in items delivered)

Aluminum construction

IP 20, in accordance with IEC 60529

Internal and external dimensions in accordance with: IEC 60297-3-100, -101, IEEE 1101.1

Rear horizontal rails for connector mounting (IEC 60603-2 / DIN 41612)

Modifications such as cutouts, different finishes or dimensions available

Supplied as space-saving flat-pack

Horizontal rail type "light"

PRODUCT ATTRIBUTES

Product Type: Subrack/Chassis

Rack Height: 6 U

Rack Width: 84 HP

Depth: 175 mm

For Mounting: DIN Connector

Board Depth: 160 mm

EMC Shielding: No

EMC Gasket Type: Stainless Steel (retrofittable)

Static Load: 11 kg

Handle Included: No

Mounting: Rack

Complies With: IEC 60297-3-103

Package Quantity: 1

ADDITIONAL PRODUCT DETAILS

Non-shielded subrack for Din Connector mounting EN 60603-2 (DIN 41612).

Individual configuration: broad range of variants in height, width and depth; guide rails for a wide variety of applications; interior options; accessories and mounting material.

CERTIFICATIONS



North America

All locations

+1.763.422.2661

Chat with us:

schroff.nvent.com

Europe

Straubenhardt, Germany

+49.7082.794.0

Betschdorf, France

+33.3.88.90.64.90

Warsaw, Poland

+48.22.209.98.35

Assago, Italy

+39.02.932.7141

Chat with us:

schroff.nvent.com

Asia

Shanghai, China

+86.21.2412.6943

Qingdao, China

+86.532.8771.6101

Singapore

+65.6768.5800

Shin-Yokohama, Japan

+81.45.476.0271

Chat with us:

schroff.nvent.com

Middle East & India

Dubai, United Arab Emirates

+971.4.378.1700

Bangalore, India

+91.80.6715.2001

Istanbul, Turkey

+90.216.250.7374

Chat with us:

schroff.nvent.com



Our powerful portfolio of brands:
nVent.com **CADDY ERICO HOFFMAN RAYCHEM SCHROFF TRACER**

© 2023 nVent. All nVent marks and logos are owned or licensed by nVent Services GmbH or its affiliates. All other trademarks are the property of their respective owners.

nVent reserves the right to change specifications without notice.