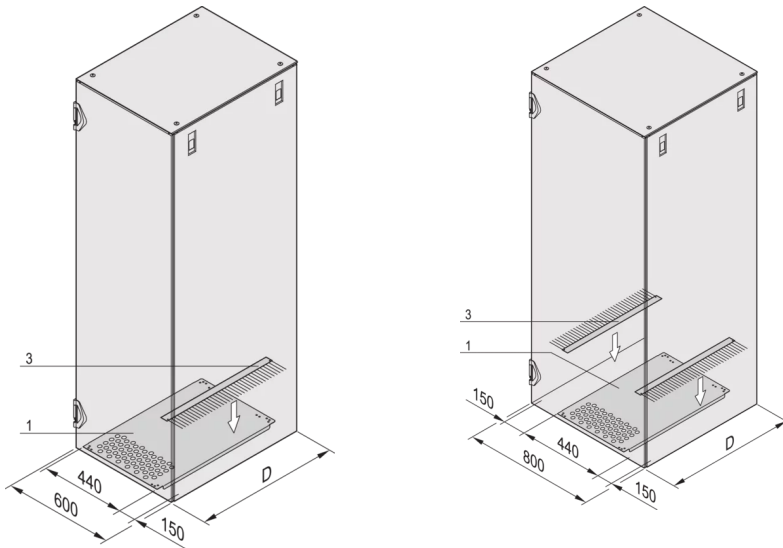


23130-356 VARISTAR IP 20 BASE PLATE FOR SIDE CABLE DUCTING, 1100D



KEY FEATURES

The base plate is open at the side; the opening can be covered over with a brush strip (cabinet width 600-mm) or two brush strips (cabinet width 800-mm)

Perforated at front for better cooling

PRODUCT ATTRIBUTES

Product Type: Cabinet/Rack Base

Product Family: Varistar

Type: Base Plate, Cable Ducting

Color: Black Grey

Color Code: RAL 7021

Depth: 1100 mm

ADDITIONAL PRODUCT DETAILS

Varistar Base Plate for side Cable Ducting for IP 20 and IP 55.

Please order brush strip separately.



North America

All locations
+1.763.422.2661
Chat with us:
schroff.nvent.com

Europe

Straubenhardt, Germany
+49.7082.794.0
Betschdorf, France
+33.3.88.90.64.90
Warsaw, Poland
+48.22.209.98.35
Assago, Italy
+39.02.932.7141
Chat with us:
schroff.nvent.com

Asia

Shanghai, China
+86.21.2412.6943
Qingdao, China
+86.532.8771.6101
Singapore
+65.6768.5800
Shin-Yokohama, Japan
+81.45.476.0271
Chat with us:
schroff.nvent.com

Middle East & India

Dubai, United Arab Emirates
+971.4.378.1700
Bangalore, India
+91.80.6715.2001
Istanbul, Turkey
+90.216.250.7374
Chat with us:
schroff.nvent.com



Our powerful portfolio of brands:
nVent.com **CADDY ERICO HOFFMAN RAYCHEM SCHROFF TRACER**