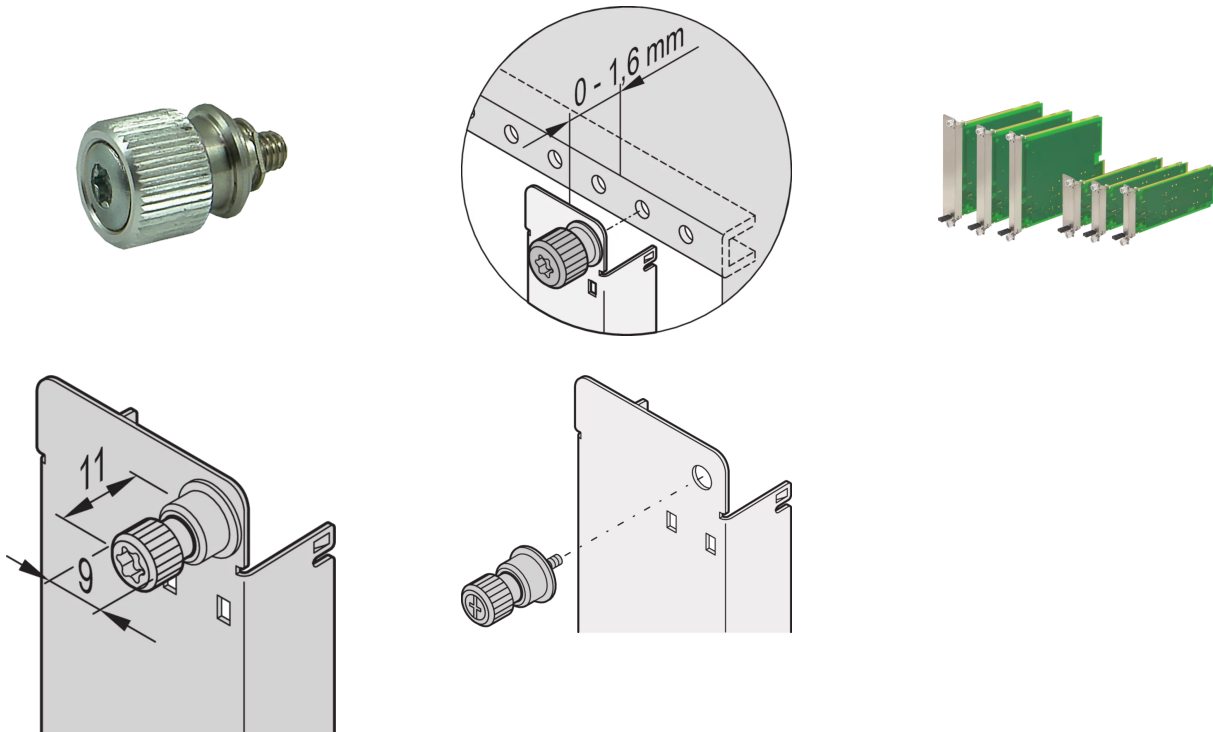


21850-057 RETENTION SCREW FOR MTCA.4 FRONT PANEL



KEY FEATURES

Thumbscrew for MTCA.4 Front Panels

Screw locking (patented) for ruggedized front panel

Screw retainer must be welded to front panel

PRODUCT ATTRIBUTES

Product Type: Screw

Works With: MicroTCA Systems

ADDITIONAL PRODUCT DETAILS

Retention Screw for MTCA.4 Front Panel.



North America

All locations
+1.763.422.2661
Chat with us:
schroff.nvent.com

Europe

Straubenhardt, Germany
+49.7082.794.0
Betschdorf, France
+33.3.88.90.64.90
Warsaw, Poland
+48.22.209.98.35
Assago, Italy
+39.02.932.7141
Chat with us:
schroff.nvent.com

Asia

Shanghai, China
+86.21.2412.6943
Qingdao, China
+86.532.8771.6101
Singapore
+65.6768.5800
Shin-Yokohama, Japan
+81.45.476.0271
Chat with us:
schroff.nvent.com

Middle East & India

Dubai, United Arab Emirates
+971.4.378.1700
Bangalore, India
+91.80.6715.2001
Istanbul, Turkey
+90.216.250.7374
Chat with us:
schroff.nvent.com



Our powerful portfolio of brands:
nVent.com **CADDY ERICO HOFFMAN RAYCHEM SCHROFF TRACER**