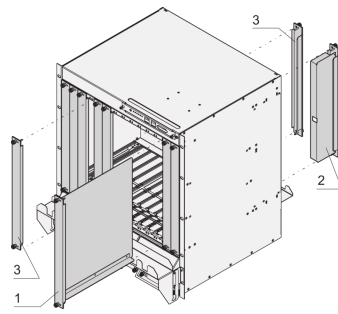
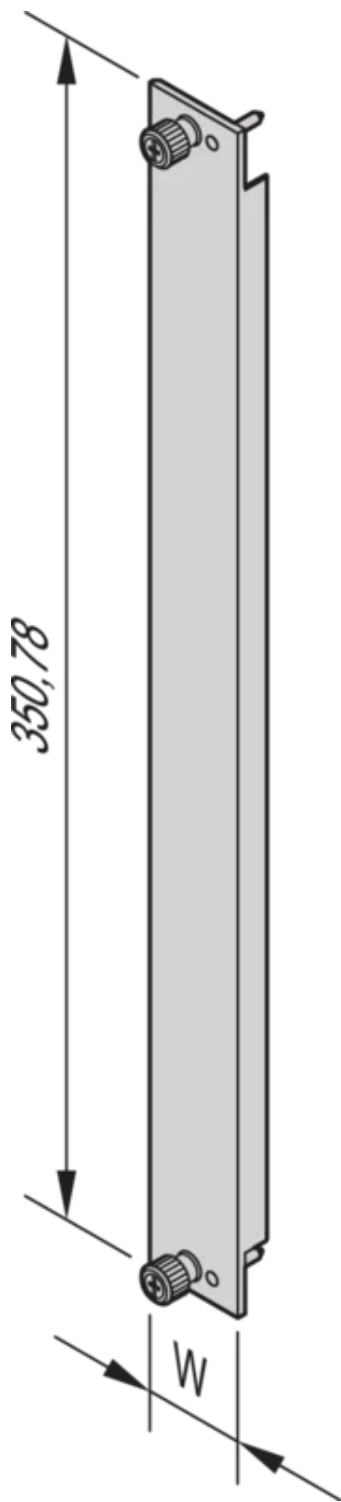




SCHROFF

21591-104 ADVANCEDTCA FILLER PANEL, WITHOUT AIR BAFFLE, 8 U, 6 HP, AL  
PROFILE



## KEY FEATURES

---

Front panels cover empty slots in a system, 8 U, 6 HP

## PRODUCT ATTRIBUTES

---

Type: Front Panel

Works With: Systems

Mounting: Screw-on Front

EMC Shielding: Yes

EMC Gasket Type: Textile

Material: Aluminum

Rack Height: 8 U

Rack Width: 6 HP

Height: 350.78 mm

Width: 30.14 mm

Accessory Type: Front panel

Rear Finish: Raw

Front Finish: Raw

Package Quantity: 1

Depth: 2.5 mm

## ADDITIONAL PRODUCT DETAILS

Advanced TCA front panels cover empty slots in a system. The additional air baffle blocks and guide the air in the right direction.

## CERTIFICATIONS



### North America

All locations  
+1.763.422.2661  
Chat with us:  
schroff.nvent.com

### Europe

Straubenhardt, Germany  
+49.7082.794.0  
Betschdorf, France  
+33.3.88.90.64.90  
Warsaw, Poland  
+48.22.209.98.35  
Assago, Italy  
+39.02.932.7141  
Chat with us:  
schroff.nvent.com

### Asia

Shanghai, China  
+86.21.2412.6943  
Qingdao, China  
+86.532.8771.6101  
Singapore  
+65.6768.5800  
Shin-Yokohama, Japan  
+81.45.476.0271  
Chat with us:  
schroff.nvent.com

### Middle East & India

Dubai, United Arab Emirates  
+971.4.378.1700  
Bangalore, India  
+91.80.6715.2001  
Istanbul, Turkey  
+90.216.250.7374  
Chat with us:  
schroff.nvent.com



Our powerful portfolio of brands:  
**nVent.com CADDY ERICO HOFFMAN RAYCHEM SCHROFF TRACER**

© 2023 nVent. All nVent marks and logos are owned or licensed by nVent Services GmbH or its affiliates. All other trademarks are the property of their respective owners.

nVent reserves the right to change specifications without notice.