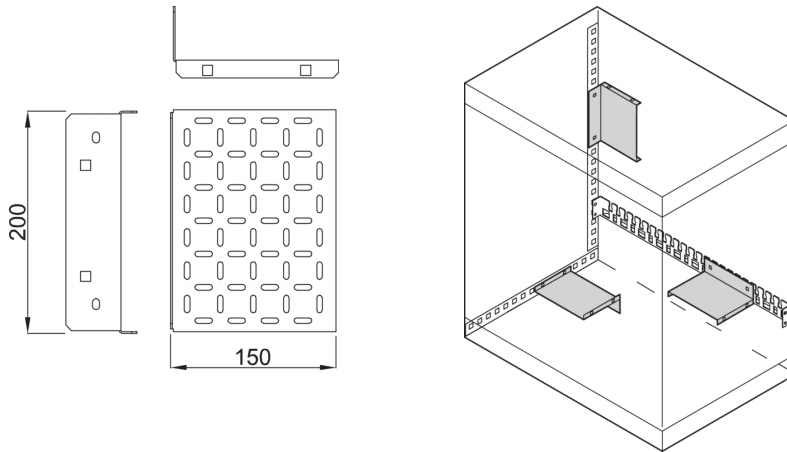


21236-122 EPCASE MODEM SHELF 200W 150D



KEY FEATURES

Assembly onto the cable support rail or direct onto the case

For fixing modems and other devices

Static load-carrying capacity 3 kg

PRODUCT ATTRIBUTES

Product Type: Shelf

Product Family: Epcase

Type: Modem

Material: Steel

Color: Light Grey

Color Code: RAL 7035

Width: 200 mm

Depth: 150 mm

ADDITIONAL PRODUCT DETAILS

Epcase Modem Shelf with load capacity of 3kg, allows easy fixing of modems and devices. The assembly can be done directly on the support rail or into the case.



North America

All locations
+1.763.422.2661
Chat with us:
schroff.nvent.com

Europe

Straubenhardt, Germany
+49.7082.794.0
Betschdorf, France
+33.3.88.90.64.90
Warsaw, Poland
+48.22.209.98.35
Assago, Italy
+39.02.932.7141
Chat with us:
schroff.nvent.com

Asia

Shanghai, China
+86.21.2412.6943
Qingdao, China
+86.532.8771.6101
Singapore
+65.6768.5800
Shin-Yokohama, Japan
+81.45.476.0271
Chat with us:
schroff.nvent.com

Middle East & India

Dubai, United Arab Emirates
+971.4.378.1700
Bangalore, India
+91.80.6715.2001
Istanbul, Turkey
+90.216.250.7374
Chat with us:
schroff.nvent.com



Our powerful portfolio of brands:
nVent.com **CADDY ERICO HOFFMAN RAYCHEM SCHROFF TRACER**