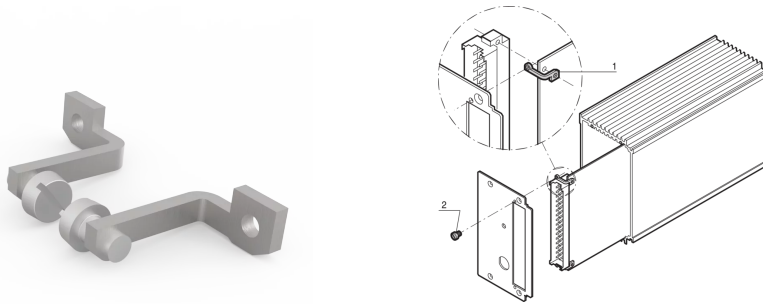


## 21101-937 HF FRAME TYPE PLUG-IN UNIT PCB BOARD FASTENING KIT



### KEY FEATURES

Assembly kit for fitting one PCB into a HF plug-in unit (top and bottom)

### PRODUCT ATTRIBUTES

Product Type: Mounting Kit

Works With: Cassettes

Material: Stainless Steel

Width: 9.8 mm

Depth: 13.5 mm

Package Quantity: 1

Height: 5.8 mm

Thread Type: Metric

### ADDITIONAL PRODUCT DETAILS

PCB mounting bracket, for HF frame type plug-in unit, kit with fixing screws.

### CERTIFICATIONS



### North America

All locations

+1.763.422.2661

Chat with us:

[schroff.nvent.com](https://schroff.nvent.com)

### Europe

Straubenhardt, Germany

+49.7082.794.0

Betschdorf, France

+33.3.88.90.64.90

Warsaw, Poland

+48.22.209.98.35

Assago, Italy

+39.02.932.7141

Chat with us:

[schroff.nvent.com](https://schroff.nvent.com)

### Asia

Shanghai, China

+86.21.2412.6943

Qingdao, China

+86.532.8771.6101

Singapore

+65.6768.5800

Shin-Yokohama, Japan

+81.45.476.0271

Chat with us:

[schroff.nvent.com](https://schroff.nvent.com)

### Middle East & India

Dubai, United Arab Emirates

+971.4.378.1700

Bangalore, India

+91.80.6715.2001

Istanbul, Turkey

+90.216.250.7374

Chat with us:

[schroff.nvent.com](https://schroff.nvent.com)



Our powerful portfolio of brands:  
[nVent.com](https://nVent.com) **CADDY ERICO HOFFMAN RAYCHEM SCHROFF TRACER**

© 2023 nVent. All nVent marks and logos are owned or licensed by nVent Services GmbH or its affiliates. All other trademarks are the property of their respective owners.

nVent reserves the right to change specifications without notice.