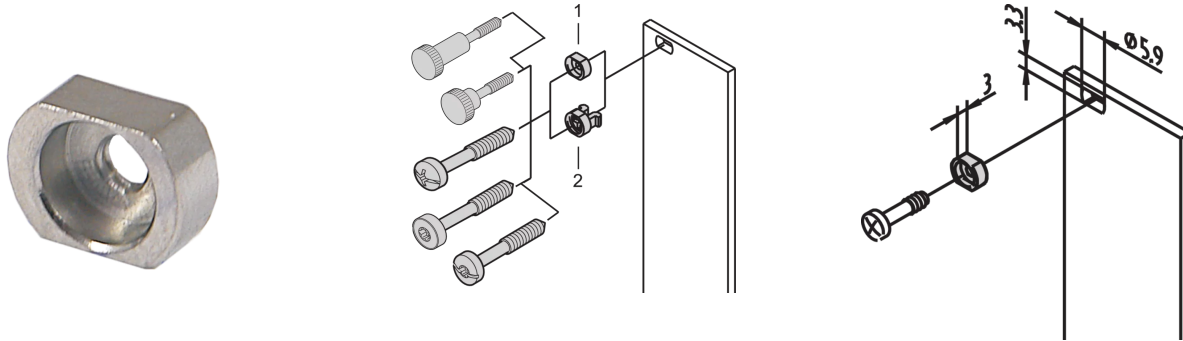


21100-661 SLEEVES FOR M2.5, STAINLESS STEEL, 10 PCS



KEY FEATURES

Sleeve guides the collar screw when fastening the front panel

Sleeve is inserted into the elongated hole of the front panel

PRODUCT ATTRIBUTES

Product Type: Sleeve

Works With: Front Panels

Package Quantity: 10

ADDITIONAL PRODUCT DETAILS

Sleeve guides the collar screw when fastening the front panel.

Metal sleeves on the partial front panels must be pressed in.

All sleeves can be used for front panel > 2 HP.

CERTIFICATIONS



North America

All locations

+1.763.422.2661

Chat with us:

schroff.nvent.com

Europe

Straubenhardt, Germany

+49.7082.794.0

Betschdorf, France

+33.3.88.90.64.90

Warsaw, Poland

+48.22.209.98.35

Assago, Italy

+39.02.932.7141

Chat with us:

schroff.nvent.com

Asia

Shanghai, China

+86.21.2412.6943

Qingdao, China

+86.532.8771.6101

Singapore

+65.6768.5800

Shin-Yokohama, Japan

+81.45.476.0271

Chat with us:

schroff.nvent.com

Middle East & India

Dubai, United Arab Emirates

+971.4.378.1700

Bangalore, India

+91.80.6715.2001

Istanbul, Turkey

+90.216.250.7374

Chat with us:

schroff.nvent.com



Our powerful portfolio of brands:
nVent.com **CADDY ERICO HOFFMAN RAYCHEM SCHROFF TRACER**

© 2023 nVent. All nVent marks and logos are owned or licensed by nVent Services GmbH or its affiliates. All other trademarks are the property of their respective owners.

nVent reserves the right to change specifications without notice.