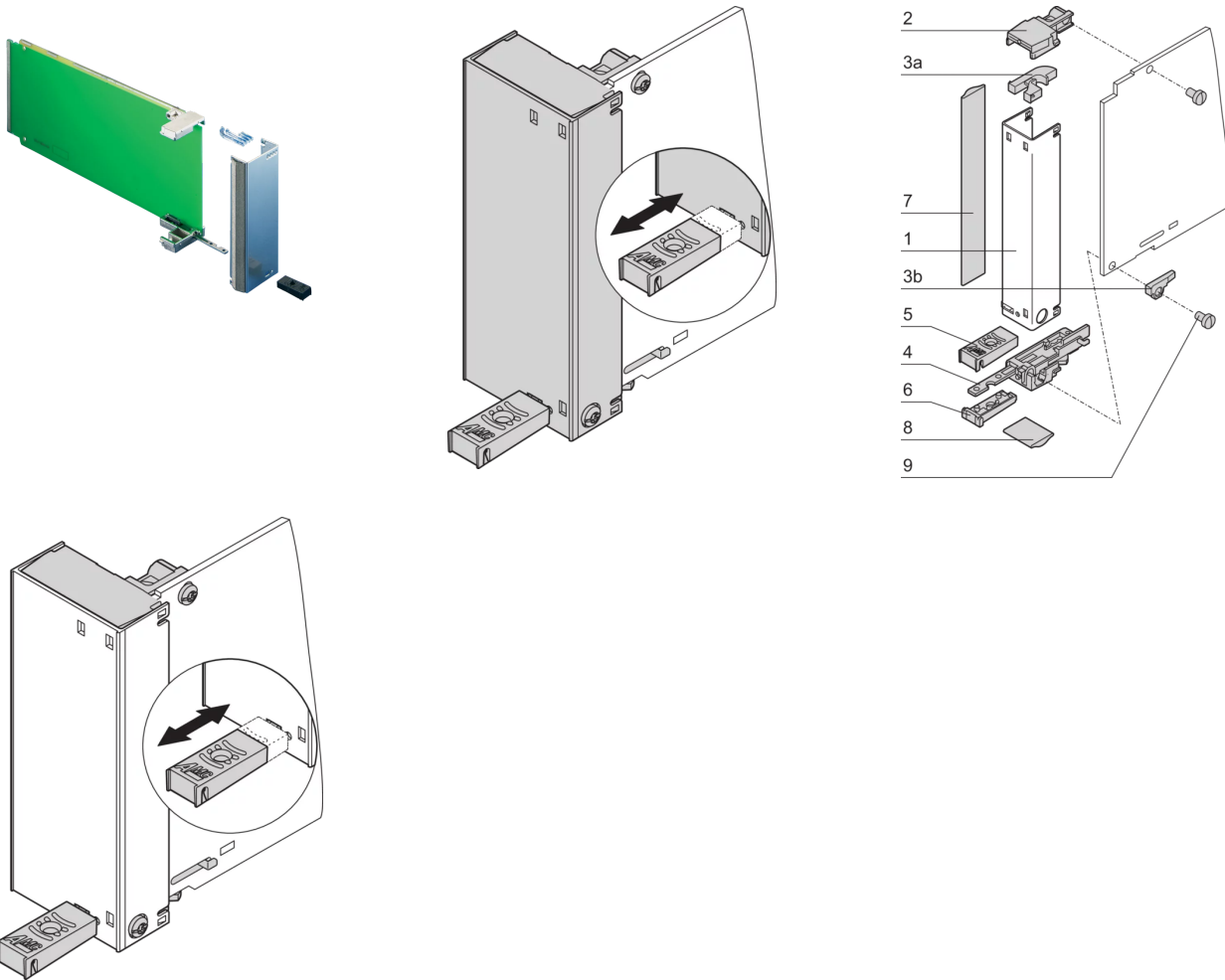


20849-153 AMC PULL-HANDLE MECHANISM, AMC.0-R2.0, SINGLE FULL-SIZE



KEY FEATURES

Complete pull-handle mechanism, designed for microswitch activation (hot-swap), includes light pipe

For all nVent SCHROFF AdvancedMC modules

PRODUCT ATTRIBUTES

Product Type: Handle

Type: Extractor

Works With: MicroTCA Systems

Handle Type: Single Full-Size

Material: Polycarbonate

Color: Black

Flammability Rating: UL® 94V-0

ADDITIONAL PRODUCT DETAILS

Handle mechanism AMC.0 Rev. 2.0, MTCA.1 and MTCA.4 Modules.

CERTIFICATIONS



North America

All locations
+1.763.422.2661
Chat with us:
schroff.nvent.com

Europe

Straubenhardt, Germany
+49.7082.794.0
Betschdorf, France
+33.3.88.90.64.90
Warsaw, Poland
+48.22.209.98.35
Assago, Italy
+39.02.932.7141
Chat with us:
schroff.nvent.com

Asia

Shanghai, China
+86.21.2412.6943
Qingdao, China
+86.532.8771.6101
Singapore
+65.6768.5800
Shin-Yokohama, Japan
+81.45.476.0271
Chat with us:
schroff.nvent.com

Middle East & India

Dubai, United Arab Emirates
+971.4.378.1700
Bangalore, India
+91.80.6715.2001
Istanbul, Turkey
+90.216.250.7374
Chat with us:
schroff.nvent.com



Our powerful portfolio of brands:
nVent.com **CADDY ERICO HOFFMAN RAYCHEM SCHROFF TRACER**

© 2023 nVent. All nVent marks and logos are owned or licensed by nVent Services GmbH or its affiliates. All other trademarks are the property of their respective owners.

nVent reserves the right to change specifications without notice.