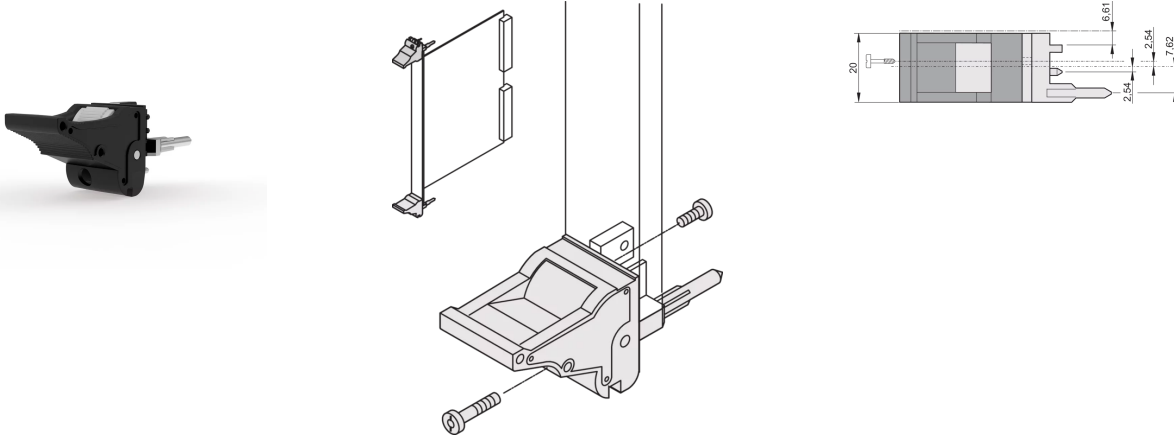




SCHROFF

20817-682 INSERTER/EXTRACTOR HANDLE TYPE IEL, BLACK LEVER, GREY BUTTON, BOTTOM; 10 PIECES



KEY FEATURES

Suitable for insertion and extraction forces up to 700 N (per pair)

In accordance with IEEE 1101.10 and IEC 60297-3-102

A microswitch can be mounted

0.1" offset is used for PSUs with SMD Plus

PRODUCT ATTRIBUTES

Product Type: Handle

Type: Inserter/Extractor, 0.1" Offset

Works With: Front Panels

Handle Type: IEL

Width: 19.8 mm

Material: Polycarbonate

Color: Jet Black

Flammability Rating: UL® 94V-0

Complies With: EN 45545-2

Package Quantity: 10

Color Code: RAL 9005

Depth: 60.45 mm

Height: 25.5 mm

ADDITIONAL PRODUCT DETAILS

The inserter/extractor handle, type IEL in accordance with IEEE 1101.10. 0,1" offset Two of these handles can overcome a single lever force of 700N (per pair).

Please order Coding pegs and Microswitch separately.

CERTIFICATIONS



North America

All locations
+1.763.422.2661
Chat with us:
schroff.nvent.com

Europe

Straubenhardt, Germany
+49.7082.794.0
Betschdorf, France
+33.3.88.90.64.90
Warsaw, Poland
+48.22.209.98.35
Assago, Italy
+39.02.932.7141
Chat with us:
schroff.nvent.com

Asia

Shanghai, China
+86.21.2412.6943
Qingdao, China
+86.532.8771.6101
Singapore
+65.6768.5800
Shin-Yokohama, Japan
+81.45.476.0271
Chat with us:
schroff.nvent.com

Middle East & India

Dubai, United Arab Emirates
+971.4.378.1700
Bangalore, India
+91.80.6715.2001
Istanbul, Turkey
+90.216.250.7374
Chat with us:
schroff.nvent.com



Our powerful portfolio of brands:
nVent.com **CADDY ERICO HOFFMAN RAYCHEM SCHROFF TRACER**

© 2023 nVent. All nVent marks and logos are owned or licensed by nVent Services GmbH or its affiliates. All other trademarks are the property of their respective owners.

nVent reserves the right to change specifications without notice.