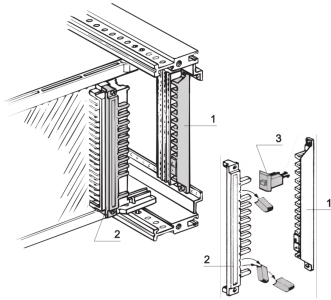


## 20800-042 CONNECTOR KEYING/CODING CONTACT STRIP FOR ALL TYPES, EN 60603, DIN 41612



### KEY FEATURES

Use with plug-in units to avoid incorrect insertion

For connectors in accordance with EN 60603 (DIN 41612)

Needed space is front panel width: 4 HP: Type B, C, D, E, F, H

Needed space of front panel width: 5 HP: Type E, G (Spacer element is required)

66 keying/coding possibilities if 2 keying/coding pins are used

924 keying/coding possibilities if 6 keying/coding pins are used

### PRODUCT ATTRIBUTES

Product Type: Coding/Keying Indicator

### ADDITIONAL PRODUCT DETAILS

Connector coding is used to provide security against incorrect insertion.

For connectors types E and G spacers are always required.

### CERTIFICATIONS



### North America

All locations

+1.763.422.2661

Chat with us:

[schroff.nvent.com](https://schroff.nvent.com)

### Europe

Straubenhardt, Germany

+49.7082.794.0

Betschdorf, France

+33.3.88.90.64.90

Warsaw, Poland

+48.22.209.98.35

Assago, Italy

+39.02.932.7141

Chat with us:

[schroff.nvent.com](https://schroff.nvent.com)

### Asia

Shanghai, China

+86.21.2412.6943

Qingdao, China

+86.532.8771.6101

Singapore

+65.6768.5800

Shin-Yokohama, Japan

+81.45.476.0271

Chat with us:

[schroff.nvent.com](https://schroff.nvent.com)

### Middle East & India

Dubai, United Arab Emirates

+971.4.378.1700

Bangalore, India

+91.80.6715.2001

Istanbul, Turkey

+90.216.250.7374

Chat with us:

[schroff.nvent.com](https://schroff.nvent.com)



Our powerful portfolio of brands:  
[nVent.com](https://nVent.com) **CADDY ERICO HOFFMAN RAYCHEM SCHROFF TRACER**

© 2023 nVent. All nVent marks and logos are owned or licensed by nVent Services GmbH or its affiliates. All other trademarks are the property of their respective owners.

nVent reserves the right to change specifications without notice.