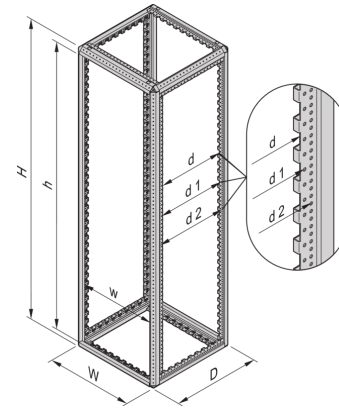
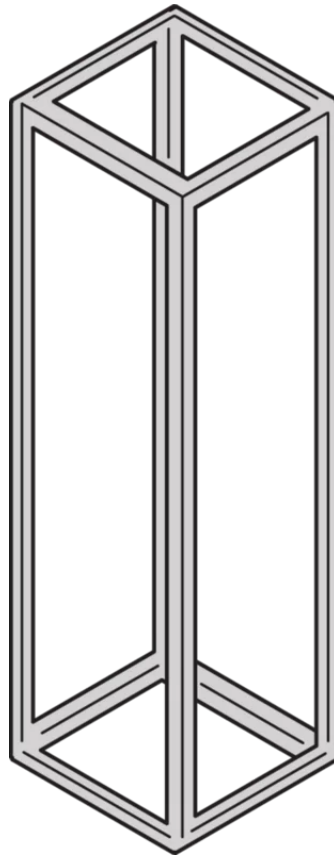
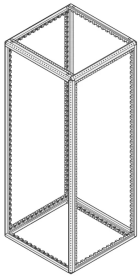


20130-010 VARISTAR CABINET FRAME, SLIM-LINE, 1600H 600W 800D



KEY FEATURES

Welded, finish powder-coated, black gray, RAL 7021

St,-1.5 mm, zinc-plated, with central GND/grounding point

Static load-carrying capacity max. 1600 kg

Please order adjustable feet or castors separately

PRODUCT ATTRIBUTES

Product Type: Cabinet/Rack Frame

Product Family: Varistar

Type: Slim-Line

Material: Steel

Frame Material: Steel

Color: Black Grey

Color Code: RAL 7021

Rack Height: 33 U

Height: 1600 mm

Width: 600 mm

Depth: 800 mm

Complies With: IEC 61587-1; IEC 61587-3

ADDITIONAL PRODUCT DETAILS

Varistar welded steel frame for static load requirements. For 19", ETSI or mounting plate integration. Frame can be upgraded for IP 55 or EMC applications.

1600 kg static load (Slim-line) if a 19" panel/slide mount is mounted with heavy-load cross members ; 400 kg static load (Slim-line) if 19" panel/slide mount is mounted with adaptor brackets for reduced width, tested according to IEC61587.

CERTIFICATIONS



North America

All locations

+1.763.422.2661

Chat with us:

schroff.nvent.com

Europe

Straubenhardt, Germany

+49.7082.794.0

Betschdorf, France

+33.3.88.90.64.90

Warsaw, Poland

+48.22.209.98.35

Assago, Italy

+39.02.932.7141

Chat with us:

schroff.nvent.com

Asia

Shanghai, China

+86.21.2412.6943

Qingdao, China

+86.532.8771.6101

Singapore

+65.6768.5800

Shin-Yokohama, Japan

+81.45.476.0271

Chat with us:

schroff.nvent.com

Middle East & India

Dubai, United Arab Emirates

+971.4.378.1700

Bangalore, India

+91.80.6715.2001

Istanbul, Turkey

+90.216.250.7374

Chat with us:

schroff.nvent.com



Our powerful portfolio of brands:
nVent.com CADDY ERICO HOFFMAN RAYCHEM SCHROFF TRACER

© 2023 nVent. All nVent marks and logos are owned or licensed by nVent Services GmbH or its affiliates. All other trademarks are the property of their respective owners.

nVent reserves the right to change specifications without notice.