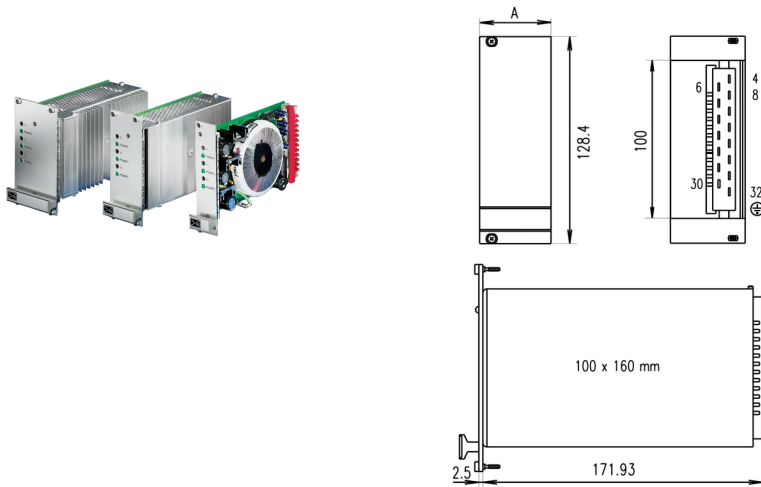


13105-051 PSU 19" AC/DC LINEAR REGULATOR, TRIPLE, PSK 312



KEY FEATURES

3 output voltages, galvanically separated

High control accuracy, low residual ripple and very low interference

Mains/line voltage 230-VAC (can be switched to 115-VAC with mains/line voltage conversion kit)

Suited for medical applications (8 mm safety clearances)

PRODUCT ATTRIBUTES

Product Type: Power Supply

Type: 19" Linear Regulator

Input Voltage AC: 230 V

Power: 8 W

Number of Output Voltages: 3

Voltage 1: 5 V

Current 1: 0.5 A

Voltage 2: 12 V

Current 2: 0.2 A

Voltage 3: 12 V

Current 3: 0.2 A

Rack Height: 3 U

Rack Width: 6 HP

Depth: 171.93 mm

ADDITIONAL PRODUCT DETAILS

Linear regulator for applications requiring very low output noise level.

Please order Front Panel separately.

Output Data-at-Ta=-0-...-50°C.

CERTIFICATIONS

CE



DIN

North America

All locations

+1.763.422.2661

Chat with us:

schroff.nvent.com

Europe

Straubenhardt, Germany

+49.7082.794.0

Betschdorf, France

+33.3.88.90.64.90

Warsaw, Poland

+48.22.209.98.35

Assago, Italy

+39.02.932.7141

Chat with us:

schroff.nvent.com

Asia

Shanghai, China

+86.21.2412.6943

Qingdao, China

+86.532.8771.6101

Singapore

+65.6768.5800

Shin-Yokohama, Japan

+81.45.476.0271

Chat with us:

schroff.nvent.com

Middle East & India

Dubai, United Arab Emirates

+971.4.378.1700

Bangalore, India

+91.80.6715.2001

Istanbul, Turkey

+90.216.250.7374

Chat with us:

schroff.nvent.com



Our powerful portfolio of brands:
nVent.com **CADDY ERICO HOFFMAN RAYCHEM SCHROFF TRACER**

© 2023 nVent. All nVent marks and logos are owned or licensed by nVent Services GmbH or its affiliates. All other trademarks are the property of their respective owners.

nVent reserves the right to change specifications without notice.