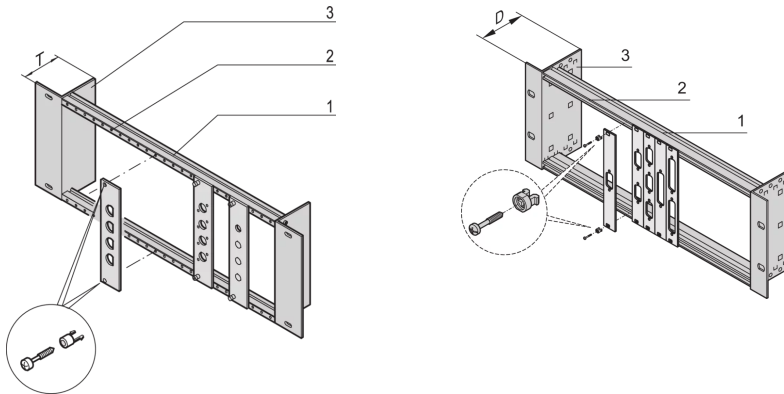


20118-630 19" MODULE SUPPORT WITHOUT STRAIN RELIEF



KEY FEATURES

For assembly of partial width front panels with SUB-D-, ST type 3 or FDDI cut-outs

Optional front panels Al, 2,5 mm, RAL 7035

Available in two versions: with or without strain relief rail

PRODUCT ATTRIBUTES

Product Type: Hardware Kit

ADDITIONAL PRODUCT DETAILS

Module support is needed for assembly of partial width front panels with SUB-D-, ST type 3 or FDDI cut-outs, with or without strain relief rail.

Please order front panel with / without cut-outs or quick release fastener separately.

Please order 19" assembly kit separately.

CERTIFICATIONS



North America

All locations

+1.763.422.2661

Chat with us:

schroff.nvent.com

Europe

Straubenhardt, Germany

+49.7082.794.0

Betschdorf, France

+33.3.88.90.64.90

Warsaw, Poland

+48.22.209.98.35

Assago, Italy

+39.02.932.7141

Chat with us:

schroff.nvent.com

Asia

Shanghai, China

+86.21.2412.6943

Qingdao, China

+86.532.8771.6101

Singapore

+65.6768.5800

Shin-Yokohama, Japan

+81.45.476.0271

Chat with us:

schroff.nvent.com

Middle East & India

Dubai, United Arab Emirates

+971.4.378.1700

Bangalore, India

+91.80.6715.2001

Istanbul, Turkey

+90.216.250.7374

Chat with us:

schroff.nvent.com



Our powerful portfolio of brands:
nVent.com **CADDY ERICO HOFFMAN RAYCHEM SCHROFF TRACER**

© 2023 nVent. All nVent marks and logos are owned or licensed by nVent Services GmbH or its affiliates. All other trademarks are the property of their respective owners.

nVent reserves the right to change specifications without notice.