

# WV-S25500-F6L

5MP Vandal Resistant Outdoor Dome Network Camera

**New S-series wide lineup high resolution network camera with AI engine**



- 5MP
- Intelligent Auto (with AI Engine)
- Super Dynamic 132dB
- Color night vision (0.08 to 0.11 lx)
- Smart Coding (with AI Engine)
- Built-in IR LED
- 50J, IK10 Vandal Resistant
- Built-in FIPS 140-2 Level 3 Certified Secure Element (EdgeLock® SE050F NXP® Semiconductors)
- NDAA Compliant



# SPECIFICATIONS

Camera	
Image Sensor	Approx. 1/2.8 type CMOS image sensor
Minimum Illumination	Color : 0.08 lx (30IRE, F1.6, 1/30s) , Color : 0.11 lx (50IRE, F1.6, 1/30s) BW : 0.07 lx (50IRE, F1.6, 1/30s) , BW : 0 lx (50IRE, F1.6,1/30s with IR LED)
White Balance	ATW1 / ATW2 / AWC
Shutter Speed	[30 fps] 1/30 Fix to 1/10000 Fix, [25 fps] 1/25 Fix to 1/10000 Fix
Intelligent Auto	On / Off
Super Dynamic*2	On / Off, The level can be set in the range of 0 to 31.
Dynamic Range	Max.132 dB (Super Dynamic : On, Level 31)
Adaptive Black Stretch	The level can be set in the range of 0 to 255.
Back light compensation / High light compensation	BLC (Back light compensation) / HLC (High light compensation) / Off (only when Super dynamic / Intelligent Auto : Off)
Fog Compensation	On / Off (only when Intelligent auto / auto contrast adjust : Off)
Maximum Gain (AGC)	The level can be set in the range of 0 to 11.
Color/BW (ICR)	Off / On (IR Light Off) / On (IR Light On) / Auto1 (IR Light Off) / Auto2 (IR Light On) / Auto3 (SCC)
IR LED Light	High / Middle / Low / Off, Maximum irradiation distance : 45 m {Approx. 148 ft} (30IRE) 30 m {Approx. 98 ft} (50IRE)
Digital Noise Reduction	The level can be set in the range of 0 to 255.
Video Motion Detection (VMD)	On / Off, 4 areas available
Scene Change Detection (SCD)	On / Off, 1 areas available
Audio Detection	On / Off
AI Sound classification	Gunshot, Yell, Vehicle horn, Glass break
AI Analytics	Yes
Privacy Zone	On / Off, Up to 8 zones available
VIQS	On / Off, Up to 8 zones available
Image rotation*3	0 ° / 90 ° / 180 ° / 270 °
Camera Title (OSD)	On / Off, Up to 40 characters (alphanumeric characters, marks)
Lens	
Optical Zoom	1x
Extra zoom	1x - 3x (when resolution is 640 x 360)
Focal Length	6.1 mm {1/4 inches}
Angular Field of View	[16 : 9 mode] Horizontal : 48°, Vertical : 27° [4 : 3 mode] Horizontal : 48°, Vertical : 36°
Maximum Aperture Ratio	1 : 1.6
Focusing Range	4.0 m {157-15/32 inches} - ∞
DORI	
Detect (25ppm / 8ppf)	138 m / 452.7 ft

Observe (62.5ppm / 19ppf)	55.2 m / 181.1 ft
Recognize (125ppm / 38ppf)	27.6 m / 90.5 ft
Identify (250ppm / 76ppf)	13.8 m / 45.3 ft

### System on Chip (SoC)

System on Chip (SoC)	Ambarella CV22
----------------------	----------------

### Adjusting Angle

Adjusting Angle	Horizontal : -194 to +166°, Vertical : -30 to +85°, Yaw : ±100°
-----------------	---

### Browser GUI

Camera Control	Brightness, AUX On / Off
Audio	Mic (Line) Input : On / Off Volume adjustment : Low / Middle / High Audio Output : On / Off Volume adjustment : Low / Middle / High
GUI / Setup Menu Language	English, Italian, French, German, Spanish, Portuguese, Russian, Chinese, Japanese
Browser*4	Microsoft Edge, Firefox, Google Chrome

### Network

Network IF	10Base-T / 100Base-TX, RJ45 connector
Resolution H.265 / H.264 / JPEG (MJPEG)	[16:9 mode (30 fps mode)][16:9 mode (25 fps mode)] 3072x1728/2560x1440/1920x1080/1280x720/640x360/320x180 [4:3 mode (30 fps mode)][4:3 mode (25 fps mode)] 3072x2304/2560x1920/1280x960/800x600/VGA/400x300/320x240
JPEG - Image Quality	10 steps
Smart Coding	GOP (Group of pictures) control: Off / Low (Variable GOP 1s-8s) / Mid (Variable GOP 4s-16s) / Advanced (Fixed GOP 60s w/1s key-frame) / Frame rate control (Variable GOP 4s-16s with frame rate control) *Advanced and Frame rate control are only available with H.265. Smart VIQS: On(High)/On(Low)/Off, Smart P-picture control: On/Off
Audio Compression	G.726 (ADPCM) : 16 kbps / 32 kbps G.711 : 64 kbps AAC-LC : 64 kbps / 96 kbps / 128 kbps
Audio Transmission Mode	Off / Mic (Line) input / Audio output / Interactive (Half duplex) / Interactive (Full duplex)
Supported Protocol	IPv6 : TCP/IP, UDP/IP, HTTP, HTTPS, SSL/TLS, SMTP, DNS, NTP, SNMPv1/v2/v3, DHCPv6, RTP, MLD, ICMP, ARP, IEEE 802.1X, DiffServ, SFTP, MQTT, LLDP IPv4 : TCP/IP, UDP/IP, HTTP, HTTPS, SSL/TLS, RTSP, RTP, RTP/RTCP, SMTP, DHCP, DNS, DDNS, NTP, SNMPv1/v2/v3, UPnP, IGMP, ICMP, ARP, IEEE 802.1X, DiffServ, SRTP, SFTP, MQTT, LLDP
No. of Simultaneous Users	Up to 14 users (Depends on network conditions)
Secure	FIPS 140-2 level 3 Certified Secure Element (NXP® EdgeLock® SE050F), Device Certificate GlobalSign® pre-installed, User authentication, Host authentication, HTTPS, 802.1X Support, Data encryption
SDXC/SDHC/SD Memory Card (Option)	H.265 / H.264 recording : Manual REC / Alarm REC (Pre/Post) / Schedule REC / Backup upon network failure JPEG recording : Manual REC / Alarm REC (Pre/Post) / Backup upon network failure Compatible SDXC/SDHC/SD Memory Card : microSDXC memory card : 64 GB, 128 GB, 256 GB, 512 GB microSDHC memory card : 4 GB, 8 GB, 16 GB, 32 GB microSD memory card : 2 GB
Mobile Terminal Compatibility	iPad, iPhone(iOS 8.0 or later), Android™ terminals
ONVIF Profile	G / M / S / T

### Alarm

Alarm Source	3 terminals input, VMD alarm, Command alarm, Audio detection alarm
Alarm Actions	SDXC/SDHC/SD memory recording, E-mail notification, HTTP alarm notification Indication on browser, TCP alarm notification output

Input/Output	
Monitor Output (for Adjustment)	VBS : 1.0 V [p-p] / 75 Ω, composite, Pin jack An NTSC or PAL signal can be outputted from camera
Audio input*8	ø3.5 mm stereo mini jack
Audio Output*8	ø3.5 mm stereo mini jack (monaural output) Output impedance : Approx. 600 Ω (unbalanced) Output level : -20 dBV
External I/O Terminals*8	ALARM IN 1 (Alarm input 1/ Black & white input/ Auto time adjustment input) (x1) ALARM IN 2 (Alarm input 2/ ALARM OUT) (x1), ALARM IN 3 (Alarm input 3/ AUX OUT) (x1)

General	
Safety	UL (UL62368-1), c-UL (CSA C22.2 No.62368-1), CE, IEC62368-1
EMC	FCC (Part15 ClassA), ICES-003 ClassA, EN55032 ClassA, EN55035
Power Source and Power Consumption	DC power supply : DC12 V 880 mA, Approx. 10.6 W PoE (IEEE802.3af compliant) Device : DC48 V 220 mA, Approx. 10.6 W (Class 0 device)
Ambient Operating Temperature	-40 °C to +60 °C (-40 °F to 140 °F)*9 (Power On range : -30 °C to +60 °C {-22 °F to +140 °F})
Ambient Operating Humidity	10 to 100 % (no condensation)
Anti-Condensation System	Temish element + Heater + moisture absorption gel
Water and Dust Resistance	IP66, Type 4X(UL50E), NEMA 4X compliant
Shock Resistance	50 J (IEC 60068-2-75 compliant), IK10 (IEC62262)
Dimensions	ø154 mm x 105 mm (H) {ø6-1/16 inches x 4-1/8 inches (H)}
Mass (Approx.)	Approx. 1.1 kg {2.43 lbs.}
Finish	Main body : Aluminum die cast, i-PRO white Outer fixing screws : Stainless steel (Corrosion-resistant treatment) Dome section : Polycarbonate resin, Clear

## NOTES

### Important

- Safety Precautions : Carefully read the Basic Information, Installation Guide and Operating Instructions before using this product.
- i-PRO Co., Ltd. cannot be held responsible for the performance of the network and/or other manufacturers' products used on the network.
- Masses and dimensions are approximate. Specifications are subject to change without notice.

### Trademarks and registered trademarks

- iPad and iPhone are trademarks of Apple Inc., registered in the U.S. and other countries. - Android is a trademark of Google LLC.
- ONVIF is a trademark of ONVIF, Inc.
- All other trademarks identified herein are the property of their respective owners

©i-PRO Co., Ltd All rights reserved / November 2022

## OPTIONAL ACCESSORIES

Select a compatible accessory

[Accessory Selector \(i-pro.com\)](http://i-pro.com)



WW-CW7CN  
Dome cover



WW-CW7S  
Dome cover



WW-CW7SN  
Dome cover



WW-QWL500-W  
Mount Bracket



WW-QJB500-W  
Mount Bracket



WW-QSR501-W  
Mount Bracket



WW-QWL501-W  
Mount Bracket



WW-QSR500-W  
Sun Shade



WW-QJB501-W  
Base Bracket



WW-QPL500-W  
Mount Bracket



WW-QCN500-W  
Mount Bracket



WW-QCL501-W  
Mount Bracket



WW-QAT501-W  
Attachment Pipe  
Bracket



WW-QCL101-W  
Mount Bracket



WW-QAT500-W  
Attachment pipe



WW-QCL100-W  
Mount Bracket



WW-QEM500-W  
Mount Bracket



WW-Q105A  
Mount Bracket



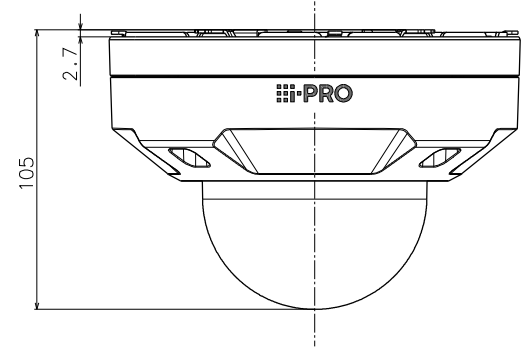
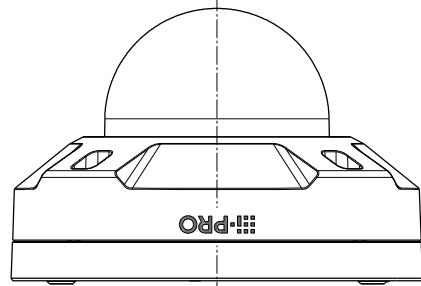
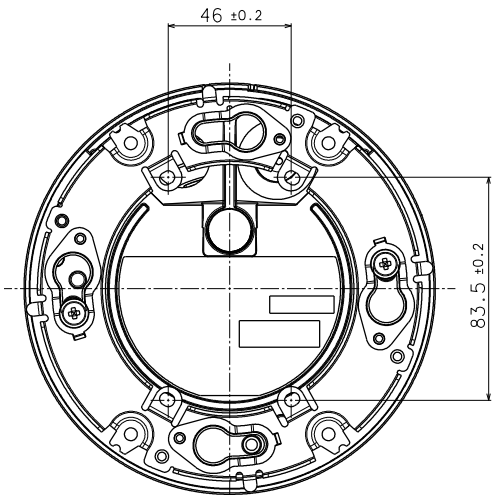
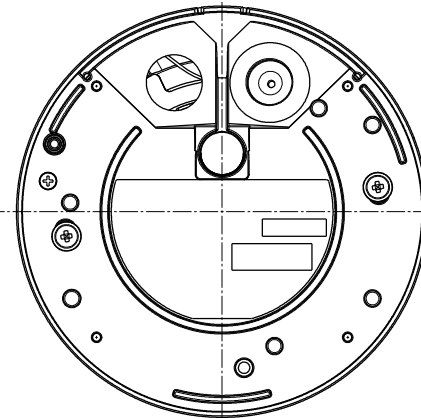
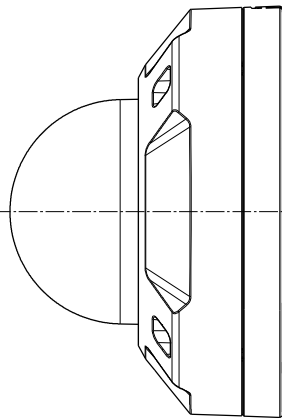
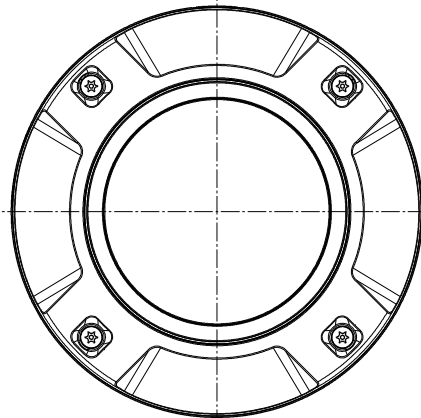
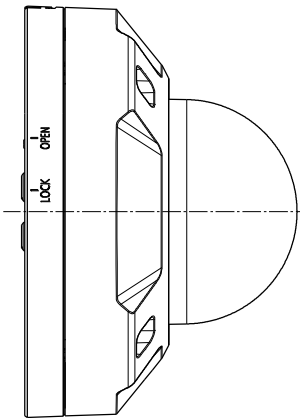
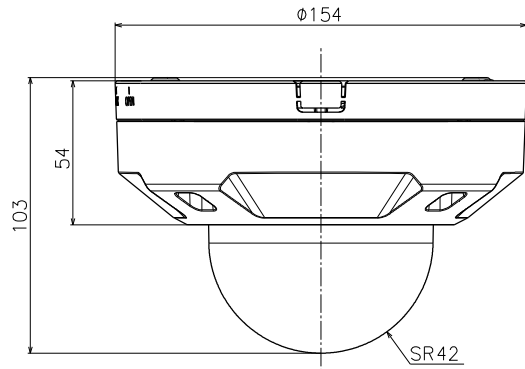
WW-QJB504-W  
Base Bracket



WW-QCA501A  
I/O Cable



WW-QCA500A  
RJ45 Ethernet Cable



With Attachment plate

Model number	Dome type	Dome coating	Color
WV-S25500-V3LN	Clear dome	ClearSight	i-PRO white
WV-S25500-V3LNJ	Clear dome	ClearSight	i-PRO white
WV-S25500-V3LN1	Clear dome	ClearSight	Black
WV-S25500-V3L	Clear dome	No	i-PRO white
WV-S25500-V3LG	Smoke dome	No	i-PRO white
WV-S25600-V2LN	Clear dome	ClearSight	i-PRO white
WV-S25600-V2L	Clear dome	No	i-PRO white
WV-S25600-V2LG	Smoke dome	No	i-PRO white
WV-S25700-V2LN	Clear dome	ClearSight	i-PRO white
WV-S25700-V2LNJ	Clear dome	ClearSight	i-PRO white
WV-S25700-V2LN1	Clear dome	ClearSight	Black
WV-S25700-V2L	Clear dome	No	i-PRO white
WV-S25700-V2LG	Smoke dome	No	i-PRO white
WV-S25500-F3L	Clear dome	No	i-PRO white
WV-S25500-F6L	Clear dome	No	i-PRO white

	投影面積/Projected area
側面圖/Side-view	0.011 (m <sup>2</sup> )

Mass : Approx. 1.1 kg {2.43 lbs} (Excluding attachment for the conduit portion)