

Data sheet

**M12 Industrial Ethernet cable, X-coded, 2.0 m,
M12 plug straight - M12 plug straight,
torsion, PUR**

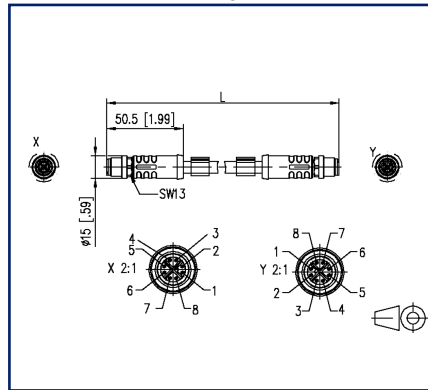
Page 1/7

P/N
142M7X11020
EAN 4250184199311
2023/06/21
Version: H

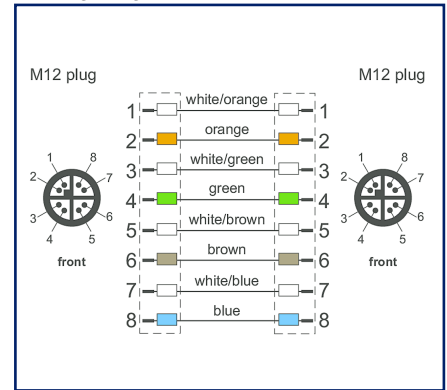
Illustrations



Dimensional drawing



Wiring diagram



See enlarged drawings at the end of document

Product specification

PROFINET 4x2xAWG24/7 Type C torsion-resistant high-speed data cable of transmission category Cat 7. The cable is halogen-free, flame-retardant, oil-resistant and resistant to abrasion due to the PUR outer jacket. It is ideally suited for use in industrial environments. High-quality shielding ensures high transmission reliability of the data in electromagnetically stressed areas. Suitable for use in dry and humid rooms. Special properties: c(UL)us type CMX according to UL 444, UL AWM styles 11117 and 21576 (1000 V, 80 °C) according to UL 758, flame retardant, recyclable, LABS-free, RoHs compliant, ozone resistant, UV resistant, torsion resistant, halogen free, oil resistant.

- Standard variants: 1.0 m, 2.0 m, 5.0 m, 10.0 m.
- Other cable lengths on request.

P | Cabling

Data sheet

Page 2/7

**M12 Industrial Ethernet cable, X-coded, 2.0 m,
M12 plug straight - M12 plug straight,
torsion, PUR**

P/N
142M7X11020
EAN 4250184199311
2023/06/21
Version: H

Technical Data

General Data

Fields of application	Industrial Ethernet harsh environment
Design	Ethernet-Connection line
Shielding	shielded
Transmission technology	Copper
Cable Type	S/FTP
Number of twisting elements	4
Twisting element	Pair
Wiring	1 - 1
Color coding fiber/ wire(s)	white/orange, orange, white/green, green, white/brown, brown, white/blue, blue
Color	green
Dimensions	
Dimension - Interface 1 (L x W x H)	50.5 mm x 15 mm x 15 mm
Dimension - Interface 1 (L x W x H)	1.988 in. x 0.591 in. x 0.591 in.
Dimension - Interface 2 (L x W x H)	50.5 mm x 15 mm x 15 mm
Dimension - Interface 2 (L x W x H)	1.988 in. x 0.591 in. x 0.591 in.
Cable length (m)	2 m
Cable length (ft)	6.56 ft

Transmission characteristics

Category (ISO)	6 _A
----------------	----------------

Connections/interfaces

Connector technology interface 1	M12-plug
Connector technology interface 2	M12-plug
Coding interface 1	X-coded
Coding interface 2	X-coded
Number of positions/contacts interface 1	8
Number of positions/contacts interface 2	8

P | Cabling

Data sheet

Page 3/7

**M12 Industrial Ethernet cable, X-coded, 2.0 m,
M12 plug straight - M12 plug straight,
torsion, PUR**

P/N
142M7X11020
EAN 4250184199311
2023/06/21
Version: H

Technical Data

Connections/interfaces

Termination data, stranded wire (min. - max.)

Conductor cross section, stranded wire	AWG 24/7
Conductor diameter, stranded wire (bare copper)	0.2 mm
Conductor diameter, stranded wire (bare copper)	0.008 in.
Cable sheath diameter (min. - max.)	
Cable sheath diameter	9.4 mm
Cable sheath diameter	0.37 in.

Electrical characteristics

Current carrying capacity	0.5 A at 40 °C
Insulation resistance	min. 100 MOhm

Mechanical data

Life - Number of mating cycles	min. 100
Torsion	at least 5.000.000 cycles
Maximum operating bending radius	75 mm
Maximum operating bending radius	2.953 in.
Maximum installation load	141 mm
Maximum installation load	5.551 in.
Shielding braid coverage	85 %

Materials and material properties

Material - Conductor	Cu (copper)
Material - Conductor Insulation	foamed Polyolefin
Material - Cable jacket	PUR
Material - Body interface 1	Plastics
Material - Body interface 2	Plastics
Material - Contact interface 1	CuZnPb (brass)
Material - Contact interface 2	CuZnPb (brass)
Material - Contact finish interface 1	Au (gold)
Material - Contact finish interface 2	Au (gold)
Material - Contact carriers interface 1	Plastics
Material - Contact carriers interface 2	Plastics
Material - Union nut interface 1	CuZnPb (brass)

P | Cabling

Data sheet

Page 4/7

**M12 Industrial Ethernet cable, X-coded, 2.0 m,
M12 plug straight - M12 plug straight,
torsion, PUR**

P/N
142M7X11020
EAN 4250184199311
2023/06/21
Version: H

Technical Data

Materials and material properties

Material - Union nut interface 2	CuZnPb (brass)
Material - Union nut finish interface 1	Ni (nickel)
Material - Union nut finish interface 2	Ni (nickel)
Material - Pair shield	plastic film
Material - Pair shield finish	Al (Aluminium)
Material - Main shield	Cu (copper) braid
Material - Main shield finish	Sn (tin)
Flame retardancy	according to IEC 60332-1-2
Halogen free	yes
Oil resistance	yes
torsional	yes
RoHS	compliant

Environmental conditions

Temperature (min. - max.)	
Temperature - Operating °C	-30 °C - 90 °C
Temperature - Operating °F	-22 °F - 194 °F
Particulate ingress interface 1	IP6X when plugged in
Liquid ingress/immersion interface 1	IPX5, IPX7 when plugged in
Particulate ingress interface 2	IP6X when plugged in
Liquid ingress/immersion interface 2	IPX5, IPX7 when plugged in
Pollution degree interface 1	2
Pollution degree interface 2	2

Approvals

UL listed (file no.)	Approval pending
----------------------	------------------

Standards/Regulations

Generic cabling systems	
General requirements	ISO/IEC 11801-1 DIN EN 50173-1
Connectors for electronic equipment	
circular connector	DIN EN 61076-2-109
Multi-element metallic cables used in analogue and digital communication and control	DIN EN 50288-5-2
Test for vertical flame propagation for a single insulated wire or cable	IEC 60332-1-2



P | Cabling

Data sheet

Page 5/7

**M12 Industrial Ethernet cable, X-coded, 2.0 m,
M12 plug straight - M12 plug straight,
torsion, PUR**

P/N

142M7X11020

EAN 4250184199311

2023/06/21

Version: H

Technical Data

Standards/Regulations

Determination of the halogen acid gas content	IEC 60754-1
---	-------------

Classifications

ETIM 7.0	EC002599
----------	----------

ETIM 8.0	EC002599
----------	----------

ETIM 9.0	EC002599
----------	----------

Packing details

Type of packaging	1 pc(s) / plastic bag
-------------------	-----------------------



P | Cabling

Data sheet

Page 6/7

**M12 Industrial Ethernet cable, X-coded, 2.0 m,
M12 plug straight - M12 plug straight,
torsion, PUR**

P/N

142M7X11020

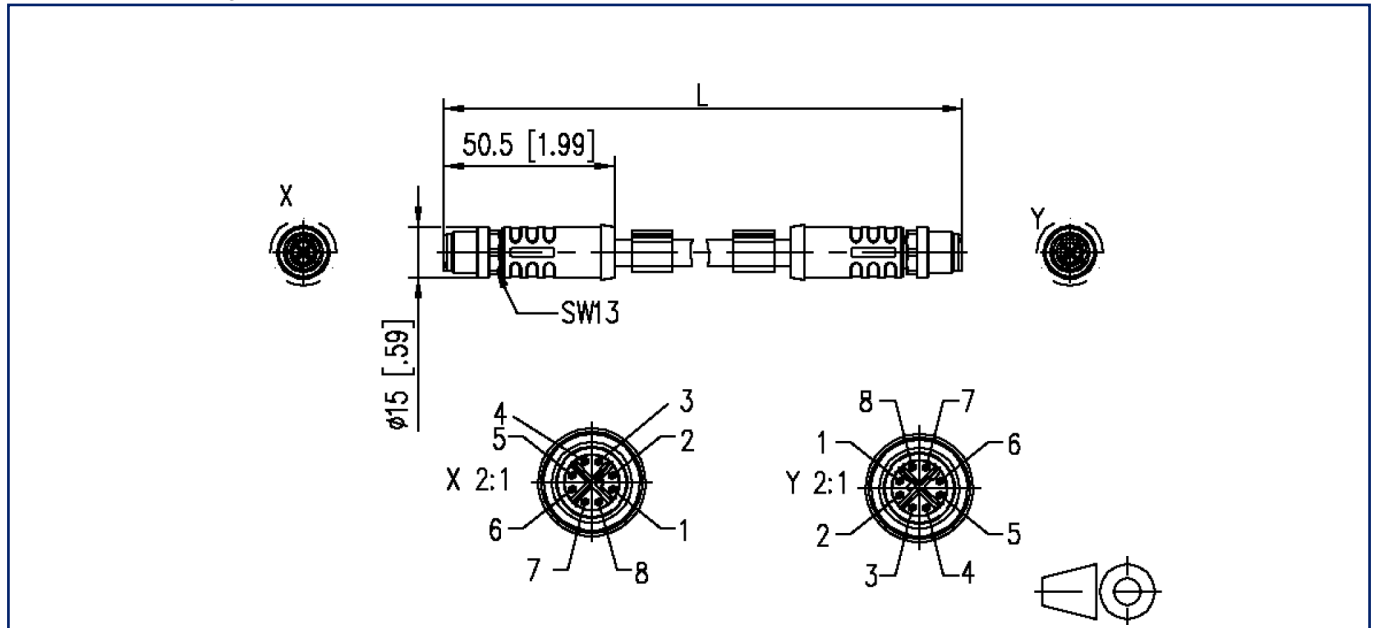
EAN 4250184199311

2023/06/21

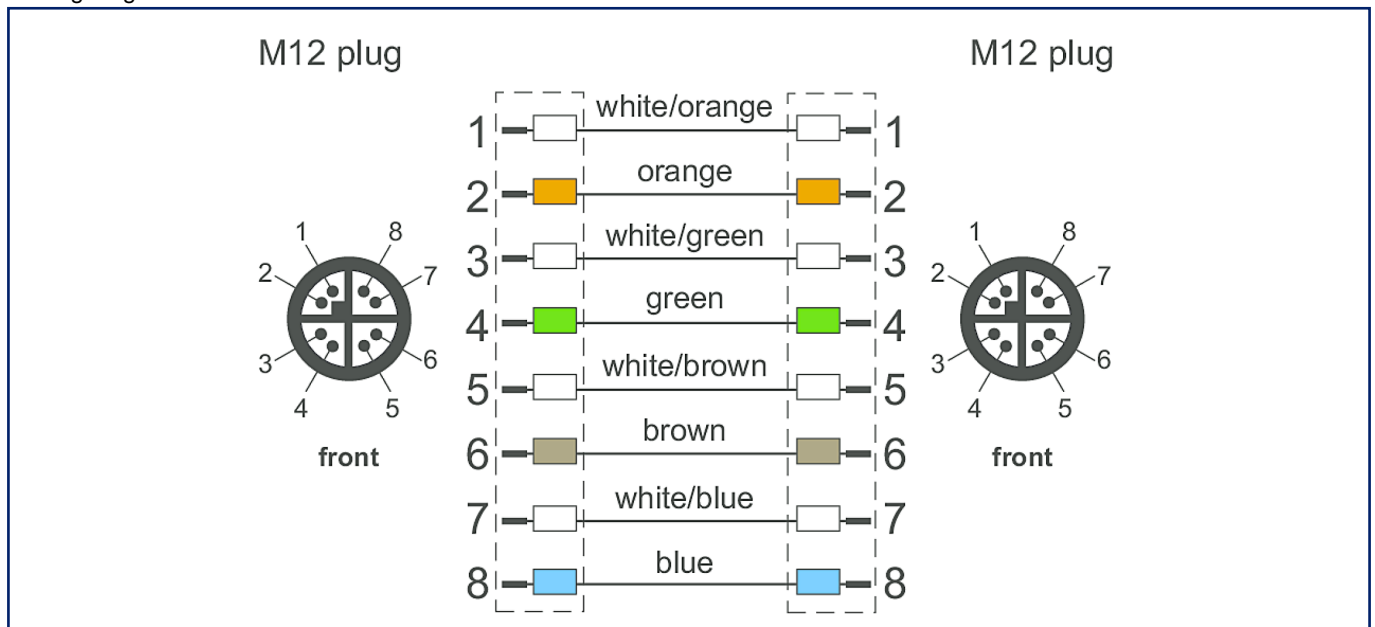
Version: H

Illustrations

Dimensional drawing



Wiring diagram



P | Cabling

Data sheet

**M12 Industrial Ethernet cable, X-coded, 2.0 m,
M12 plug straight - M12 plug straight,
torsion, PUR**

Page 7/7

P/N

142M7X11020

EAN 4250184199311

2023/06/21

Version: H

Illustrations

Principle diagram

