

Data sheet

**M12 Industrial Ethernet cable, X-coded, 5.0 m,
M12 plug straight - M12 plug straight, drag chain, PUR**

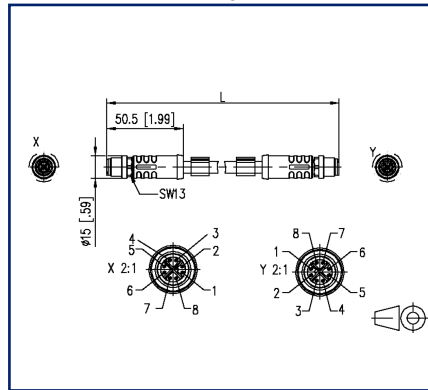
Page 1/7

P/N
142M6X11050
EAN 4250184199137
2023/06/21
Version: H

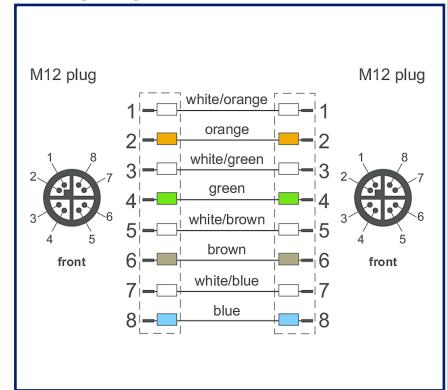
Illustrations



Dimensional drawing



Wiring diagram



See enlarged drawings at the end of document

Product specification

PROFINET 4x 2x AWG26/19 Type C highly flexible high-speed data cable of transmission category Cat 6. The cable is halogen-free, flame-retardant, oil-resistant and resistant to abrasion due to the PUR outer jacket. It is ideally suited for use in industrial environments. High-quality shielding ensures high transmission reliability of the data in electromagnetically stressed areas. Suitable for flexible applications, especially in drag chains or on continuously moving machine parts in dry and humid rooms. Special properties: flame-retardant, recyclable, LABS-free, RoHS-compliant, ozone-resistant, UV-resistant, suitable for drag chains, halogen-free, oil-resistant, high flexibility.

- Standard variants: 1.0 m, 2.0 m, 5.0 m, 10.0 m.
- Other cable lengths on request.

P | Cabling

Data sheet

Page 2/7

M12 Industrial Ethernet cable, X-coded, 5.0 m, M12 plug straight - M12 plug straight, drag chain, PUR

P/N

142M6X11050

EAN 4250184199137

2023/06/21

Version: H

Technical Data

General Data

Fields of application	Industrial Ethernet harsh environment
Design	Ethernet-Connection line
Shielding	shielded
Transmission technology	Copper
Cable Type	SF/UTP
Number of twisting elements	4
Twisting element	Pair
Wiring	1 - 1
Color coding fiber/ wire(s)	white, orange, white, green, white, brown, white, blue
Color	green
Dimensions	
Dimension - Interface 1 (L x W x H)	50.5 mm x 15 mm x 15 mm
Dimension - Interface 1 (L x W x H)	1.988 in. x 0.591 in. x 0.591 in.
Dimension - Interface 2 (L x W x H)	50.5 mm x 15 mm x 15 mm
Dimension - Interface 2 (L x W x H)	1.988 in. x 0.591 in. x 0.591 in.
Cable length (m)	5 m
Cable length (ft)	16.4 ft

Transmission characteristics

Category (ISO)	6 _A
----------------	----------------

Connections/interfaces

Connector technology interface 1	M12-plug
Connector technology interface 2	M12-plug
Coding interface 1	X-coded
Coding interface 2	X-coded
Number of positions/contacts interface 1	8
Number of positions/contacts interface 2	8

P | Cabling

Data sheet

Page 3/7

M12 Industrial Ethernet cable, X-coded, 5.0 m, M12 plug straight - M12 plug straight, drag chain, PUR

P/N
142M6X11050
EAN 4250184199137
2023/06/21
Version: H

Technical Data

Connections/interfaces

Termination data, stranded wire (min. - max.)

Conductor cross section, stranded wire	AWG 26/19
Conductor diameter, stranded wire (bare copper)	0.55 mm
Conductor diameter, stranded wire (bare copper)	0.022 in.
Core diameter (min. - max.)	
Core diameter (conductor with insulation)	0.98 mm
Core diameter (conductor with insulation)	0.039 in.
Cable sheath diameter (min. - max.)	
Cable sheath diameter	7.80
Cable sheath diameter	0.307

Electrical characteristics

Current carrying capacity	0.5 A at 40 °C
Insulation resistance	min. 100 MOhm
Transfer impedance 10 MHz	max. 30 mOhm/m
Characteristic impedance 1-100 MHz	100
Capacitance at 800 Hz	52 nF/km
Delay skew	30 ns/100 m

Mechanical data

Tensile force	100 N
Life - Number of mating cycles	min. 100
Bending radius without load	31.2 mm
Bending radius without load	1.228 in.
Bending radius with load	58.5 mm
Bending radius with load	2.303 in.
Maximum operating bending radius	58.5 mm
Maximum operating bending radius	2.303 in.
Number of alternating bending cycles (mechanical resistance) at:	4 million bending cycles
Alternating bending radius	58.5 mm
velocity	3 m/s
acceleration	3 m/s ²
Shielding braid coverage	85 %

P | Cabling

Data sheet

Page 4/7

M12 Industrial Ethernet cable, X-coded, 5.0 m, M12 plug straight - M12 plug straight, drag chain, PUR

P/N

142M6X11050

EAN 4250184199137

2023/06/21

Version: H

Technical Data

Materials and material properties

Material - Conductor	Cu (copper)
Material - Conductor Insulation	polypropylene
Material - Cable jacket	PUR
Material - Inner cable jacket	FRNC, with an aluminized film
Material - Body interface 1	Plastics
Material - Body interface 2	Plastics
Material - Contact interface 1	CuZnPb (brass)
Material - Contact interface 2	CuZnPb (brass)
Material - Contact finish interface 1	Au (gold)
Material - Contact finish interface 2	Au (gold)
Material - Contact carriers interface 1	Plastics
Material - Contact carriers interface 2	Plastics
Material - Main shield	Cu (copper) braid
Material - Main shield finish	Sn (tin)
Flame retardancy	according to IEC 60332-1-2
Halogen free	yes
Oil resistance	yes
UV-resistance	yes
drag chain suitable	yes
RoHS	compliant

Environmental conditions

Temperature (min. - max.)	
Temperature - Operating °C	-30 °C - 90 °C
Temperature - Operating °F	-22 °F - 194 °F
Particulate ingress interface 1	IP6X when plugged in
Liquid ingress/immersion interface 1	IPX5, IPX7 when plugged in
Particulate ingress interface 2	IP6X when plugged in
Liquid ingress/immersion interface 2	IPX5, IPX7 when plugged in
Pollution degree interface 1	2
Pollution degree interface 2	2



P | Cabling

Data sheet

Page 5/7

**M12 Industrial Ethernet cable, X-coded, 5.0 m,
M12 plug straight - M12 plug straight, drag chain, PUR**

P/N
142M6X11050
EAN 4250184199137
2023/06/21
Version: H

Technical Data

Approvals

UL listed (file no.) Approval pending

Standards/Regulations

Generic cabling systems

General requirements ISO/IEC 11801 | ANSI/TIA-568

Connectors for electronic equipment

circular connector DIN EN 61076-2-109

Multi-element metallic cables used in analogue and digital communication and control DIN EN 50288-5-2

Test for vertical flame propagation for a single insulated wire or cable IEC 60332-1-2

Determination of the halogen acid gas content IEC 60754-1

Classifications

ETIM 7.0 EC002599

ETIM 8.0 EC002599

ETIM 9.0 EC002599

Packing details

Type of packaging 1 pc(s) / plastic bag



P | Cabling

Data sheet

Page 6/7

**M12 Industrial Ethernet cable, X-coded, 5.0 m,
M12 plug straight - M12 plug straight, drag chain, PUR**

P/N

142M6X11050

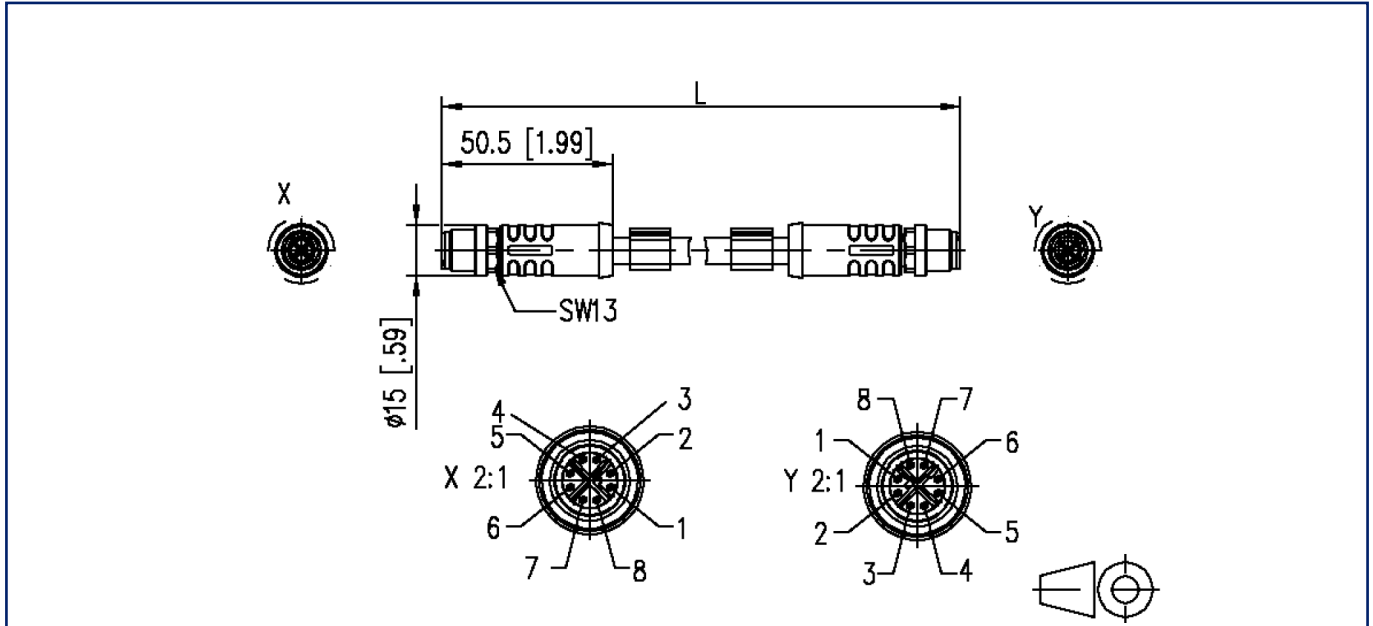
EAN 4250184199137

2023/06/21

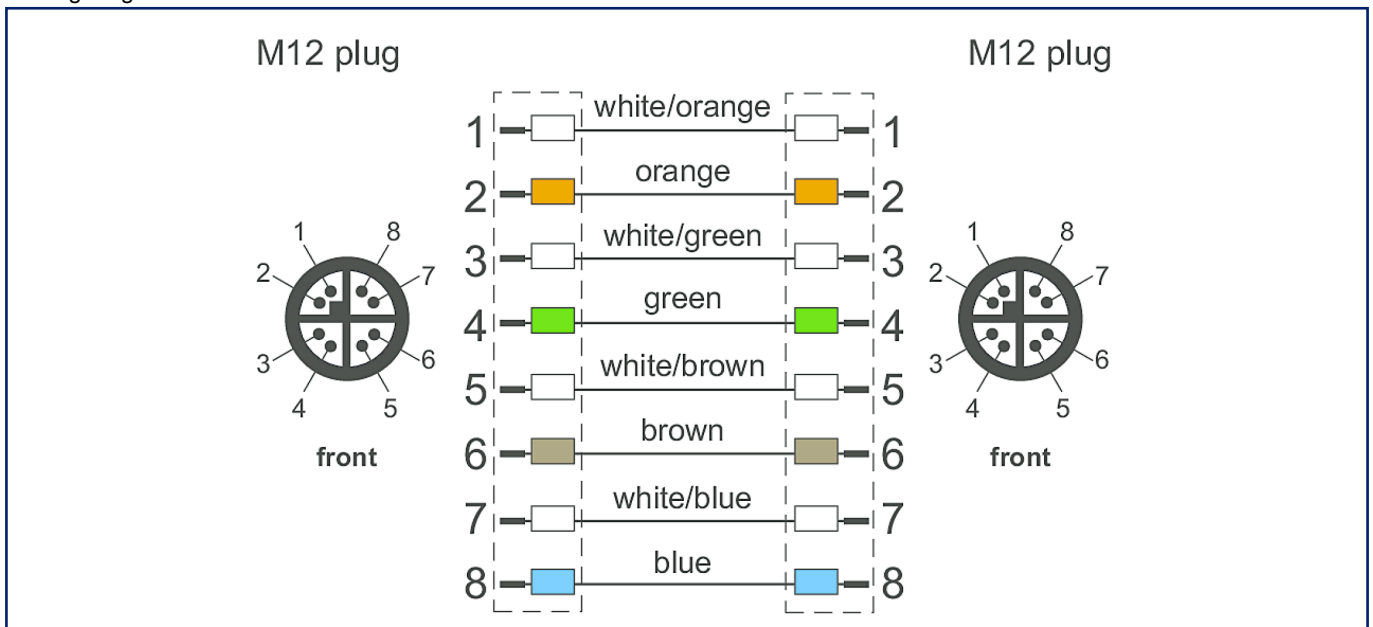
Version: H

Illustrations

Dimensional drawing



Wiring diagram



P | Cabling

Data sheet

Page 7/7

**M12 Industrial Ethernet cable, X-coded, 5.0 m,
M12 plug straight - M12 plug straight, drag chain, PUR**

P/N

142M6X11050

EAN 4250184199137

2023/06/21

Version: H

Illustrations

Principle diagram

