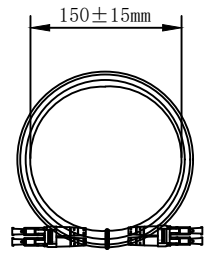
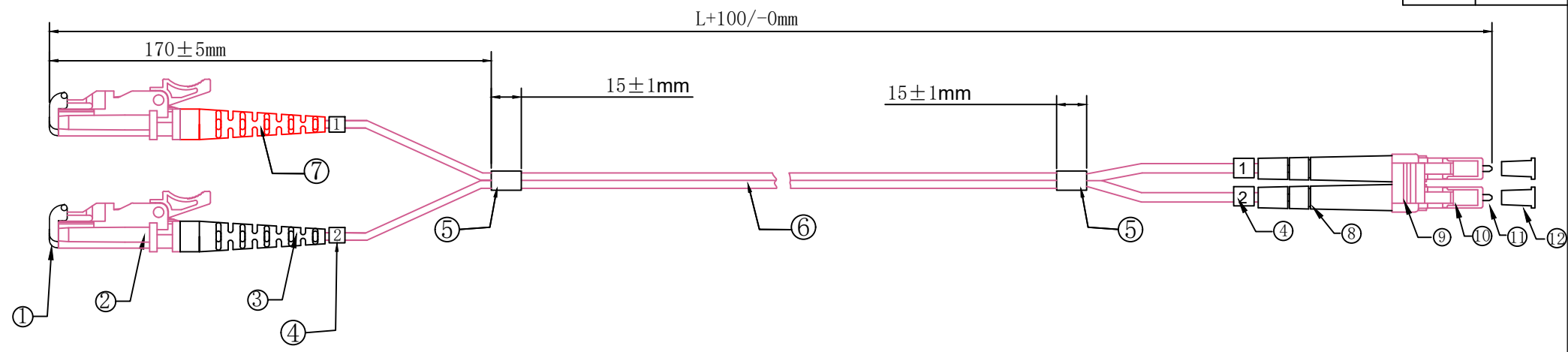


UNIT	mm
------	----



Note:
 ROHS 2.0 & REACH Compliant
 2. The out jacket is conform to IEC60332-1, EN60754-2, EN 61034-2
 3. Min. Bending Radius:Static:30mm, Dynamic:60mm

Test:
 Grade Designation:Each to Reference

MATERIAL LIST:

⑫	LC Dust Cap White	2pcs	Type	Multi-Mode
⑪	LC/UPC MM Ceramic Ferrule	2pcs	Insertion Loss	≤0.2dB
⑩	LC Erika violet Duplex Clip	1pcs	Return Loss	≥30dB
⑨	LC Duplex Connector Erika violet	2pcs	Test Wavelength	850nm
⑧	LC 3.0 Boot White	2pcs	ITEM NO.	DESC.
⑦	LSH 3.0 Boot Red	2pcs	21.15.9470	ROLINE FO Jumper Cable LSH-LC Duplex, 50/125um, OM4, 0.5m
⑥	Fiber Optical Cable Erika violet RAL4003 OM4 50/125um Duplex Ø3.0*6.0mm LSZH	L	21.15.9471	ROLINE FO Jumper Cable LSH-LC Duplex, 50/125um, OM4, 1m
⑤	Black Heat Shrink Tube	2pcs	21.15.9472	ROLINE FO Jumper Cable LSH-LC Duplex, 50/125um, OM4, 2m
④	Ring 1、2	4pcs	21.15.9473	ROLINE FO Jumper Cable LSH-LC Duplex, 50/125um, OM4, 3m
③	LSH 3.0 Boot Black	2pcs	21.15.9475	ROLINE FO Jumper Cable LSH-LC Duplex, 50/125um, OM4, 5m
②	LSH Connector Erika violet	2pcs	21.15.9476	ROLINE FO Jumper Cable LSH-LC Duplex, 50/125um, OM4, 7.5m
①	LSH Metal Dust Cap	2pcs	21.15.9477	ROLINE FO Jumper Cable LSH-LC Duplex, 50/125um, OM4, 10m

NO.	SPECIFICATION STANDARD	QT' Y	REMARK
	Add Min. Bending Radius	2022-1-24	A1
	Connector colour: Beige → Erika violet	2020-05-13	A1
	NEW	2018-05-07	A0
BY	CHK	REVISION RECORD MODIFICATIONS	DATE REV.

