

OFF ON  
**Data sheet**  
**SAR 4**

**P/N**  
**130283-I**  
**EAN 4250184101703**  
 2023/06/23

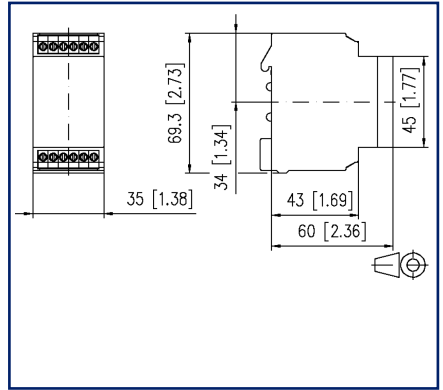
**Illustrations**



Dimensional drawing



Circuit diagram



See enlarged drawings at the end of document

**Product specification**

The SAR4 and SAR5 can be connected to a telecommunications access line or separate control voltage source (AC/DC) and are activated by the call voltage or control voltage. The SAR reacts either only to the call voltage or to the control voltage. It activates an external signal emitter with its own or separate power supply (e.g. bell, horn, or lamp).

© 2023 METZ CONNECT - Technische Änderungen vorbehalten! Subject to modifications! Sous réserve de modifications techniques!

## Technical Data

### Material

Color light gray

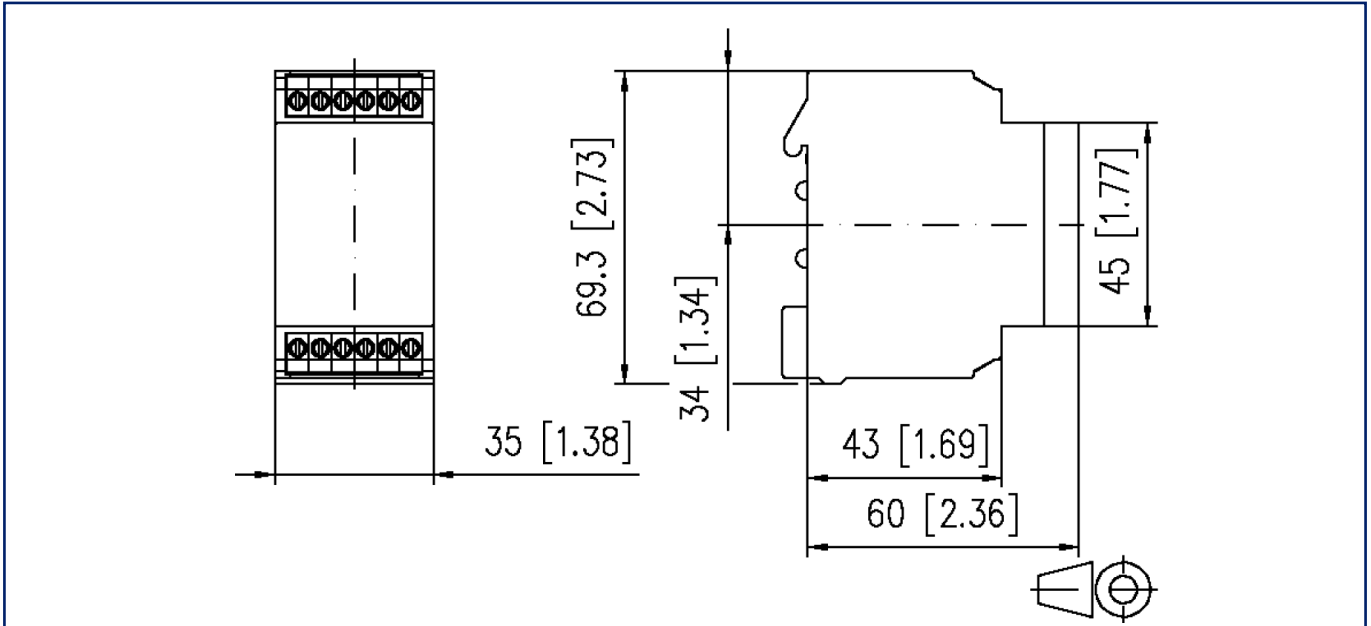
### Classifications

ETIM 7.0	EC000373
ETIM 8.0	EC000373
ETIM 9.0	EC000373



**Illustrations**

Dimensional drawing



Circuit diagram

