

Data sheet

MFRk-E08 F 230 V AC, 24 V AC/DC

Page 1/9

P/N

110658412014

EAN 4250184122913

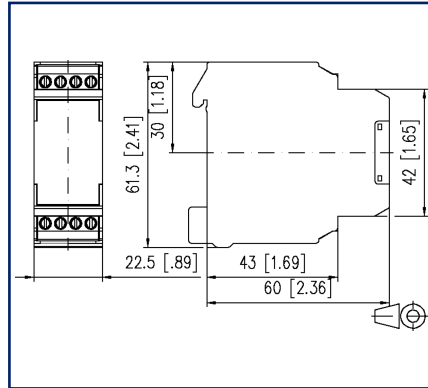
2023/06/20

Version: E

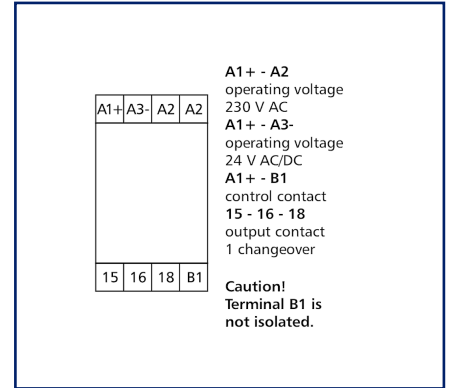
Illustrations



Dimensional drawing



Wiring diagram



See enlarged drawings at the end of document

Product specification

Multifunctional timer relay with incorporated coding switches to set functions. The time is set by means of a linear potentiometer on a relative scale.

- Connection with screw type terminal blocks
- Ten adjustable time ranges from 0.05 s to 30 h
- Seven selectable functions
- 1. On-delayed
- 2. Making-pulse interval
- 3. Off-delay
- 4. Breaking-pulse interval
- 5. Flashing for pause start
- 6. Flashing for pulse start
- 7. Off-delay with control contact B1 inhibition



Technical Data

Supply	
Operating voltage	230 V AC / 24 V AC/DC -10% ... +10%
Frequency range	50 ... 60 Hz
Power consumption	
Power consumption 230 V AC	5.2 VA
Power consumption 24 V AC	0.5 VA
Power consumption 24 V DC	0.3 W
Duty cycle relative	100 %
Response time typical	20 ms
Release time typical	20 ms
Fallback voltage range	≥ 0.15 UN
Time Ranges	
Time range adjustable	0.05 s - 30 h
Repeatability	± 0.01 %
Repeatability in the smallest time range (max.)	± 0.1 %
Inputs	
Minimum switch-on duration	
Minimum switch-on duration (control contact)	≥ 5 ms
Minimum switch-on duration DC	≥ 0.2 s
Minimum switch-on duration AC	≥ 0.3 s
Outputs	
Contacts	1 changeover contact
Contact material	AgSnO ₂
Switching voltage (max.)	250 V AC
Continuous Current	6 A
Protection	6 A
Switching frequency	1200 switching cycles/h
Mechanical life	1x10 ⁷ switching cycles
Electrical life	1x10 ⁵ switching cycles

Technical Data

Outputs

Recovery time	
Recovery time (control contact)	≥ 10 ms
Recovery time 24 V AC	10 ... 30 ms
Recovery time 24 V DC	10 ... 30 ms
Recovery time 230 V AC	10 ... 30 ms
Indicator	green and red LED

Insulation coil - contact set

Nominal voltage of the power supply system	230 / 400 V AC
Overvoltage category	III II
Degree of pollution	2 2
Rated test voltage	4 kV 2.5 kV
Type of insulation	basic insulation reinforced insulation

Housing

Dimensions	
Dimension (W x H x D)	22.5 mm x 61.3 mm x 60 mm
Dimension (W x H x D)	0.886 in. x 2.413 in. x 2.362 in.
Weight	70 g
Mounting style	Standard rail TH35
Mounting position	any
Apposition	without distance
Connection type	Screw type terminal blocks

Terminal blocks

Wire cross section solid	0.34 mm ² - 2.5 mm ² / AWG 22-12
Wire cross section multi	0.25 mm ² - 2.5 mm ² / AWG 22-12
Wire cross section with wire ferrule	0.25 mm ² - 2.5 mm ² / AWG 22-12
Screw torque (max.)	0.5 Nm
Stripping length (min.)	8 mm

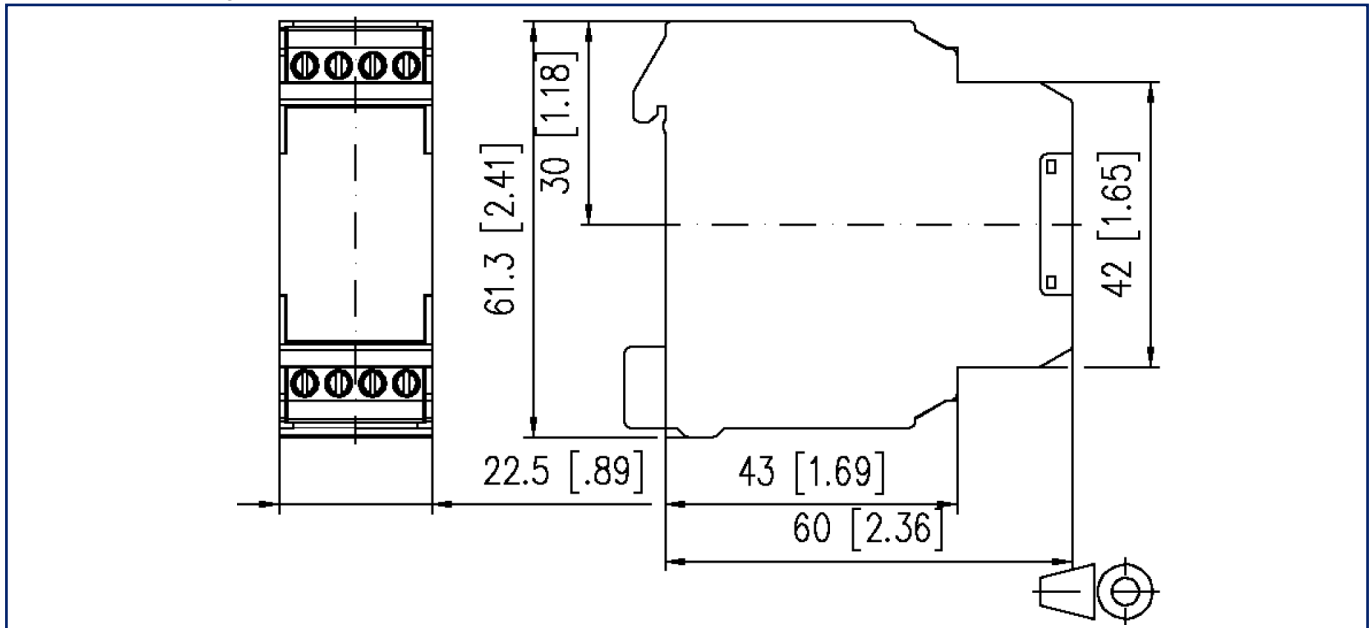
Technical Data

Material	
Material - Housing	Polyamid 6.6 V0
Color	gray
Material - Terminal block	Polyamid 6.6 V0
Material - Covers	Polyamid 6.6 V0
Protection category according to IEC 60529	
Protection category - housing (acc. to IEC 60529)	IP40
Protection category - terminal blocks (acc. to IEC 60529)	IP20
Temperature range	
Operating	
Temperature - Operating °C	-10 °C - 55 °C
Temperature - Operating °F	14 °F - 131 °F
Storage	
Temperature - Storage °C	-25 °C - 70 °C
Temperature - Storage °F	-13 °F - 158 °F
Power loss	
Power loss (typical)	1 W
Classifications	
ETIM 7.0	EC001439
ETIM 8.0	EC001439
ETIM 9.0	EC001439

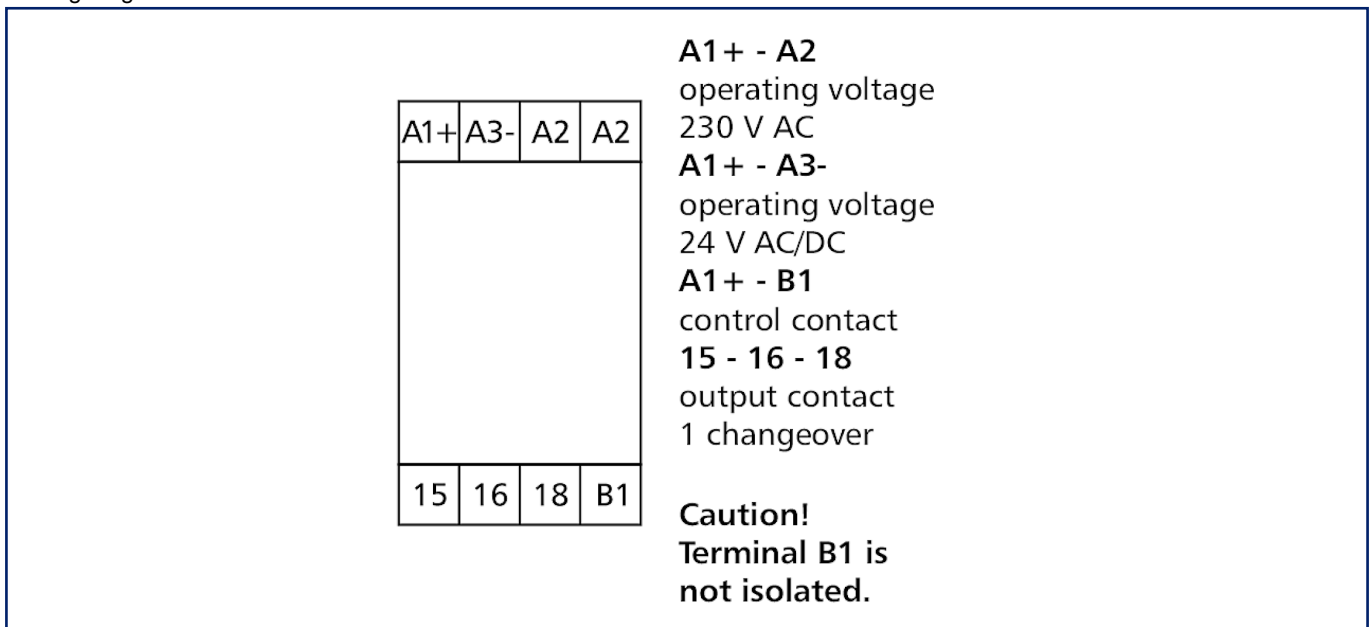


Illustrations

Dimensional drawing

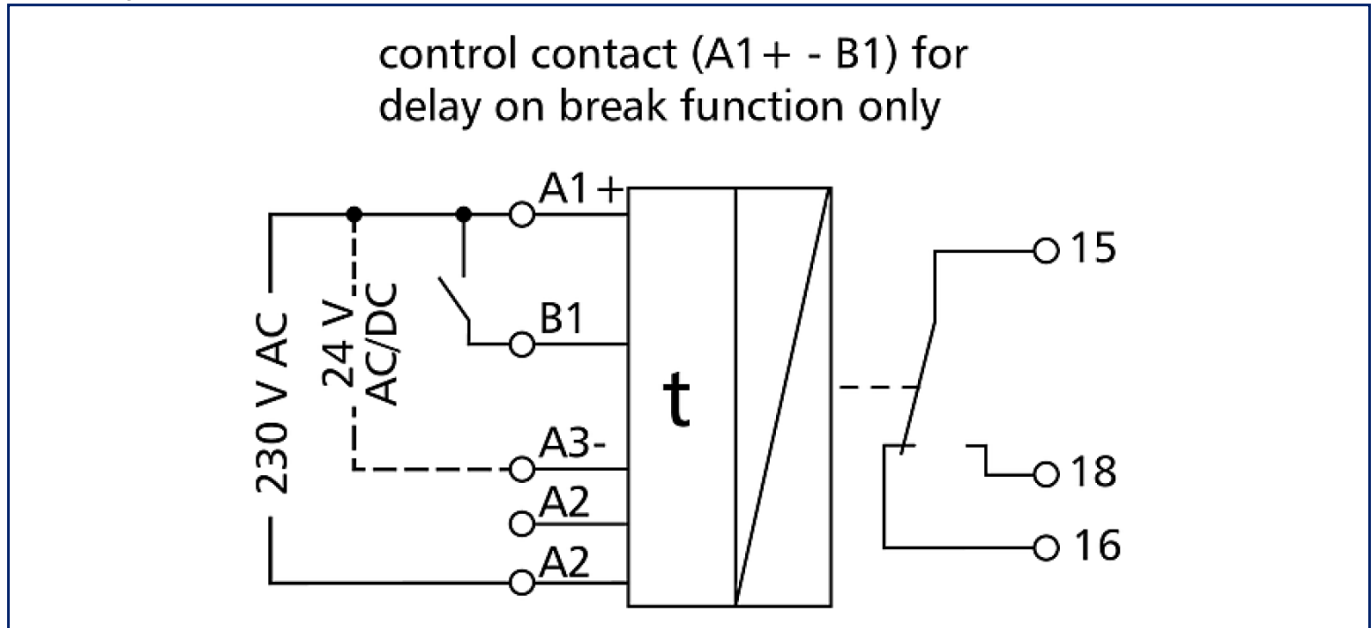


Wiring diagram

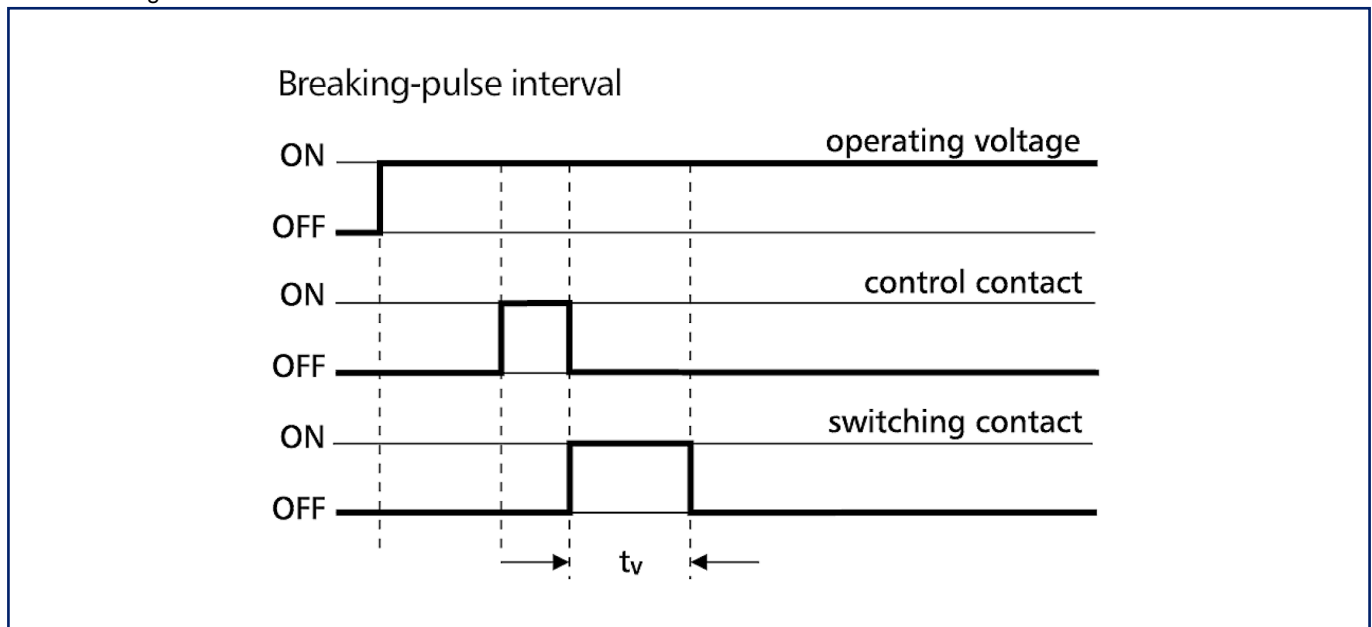


Illustrations

Circuit diagram

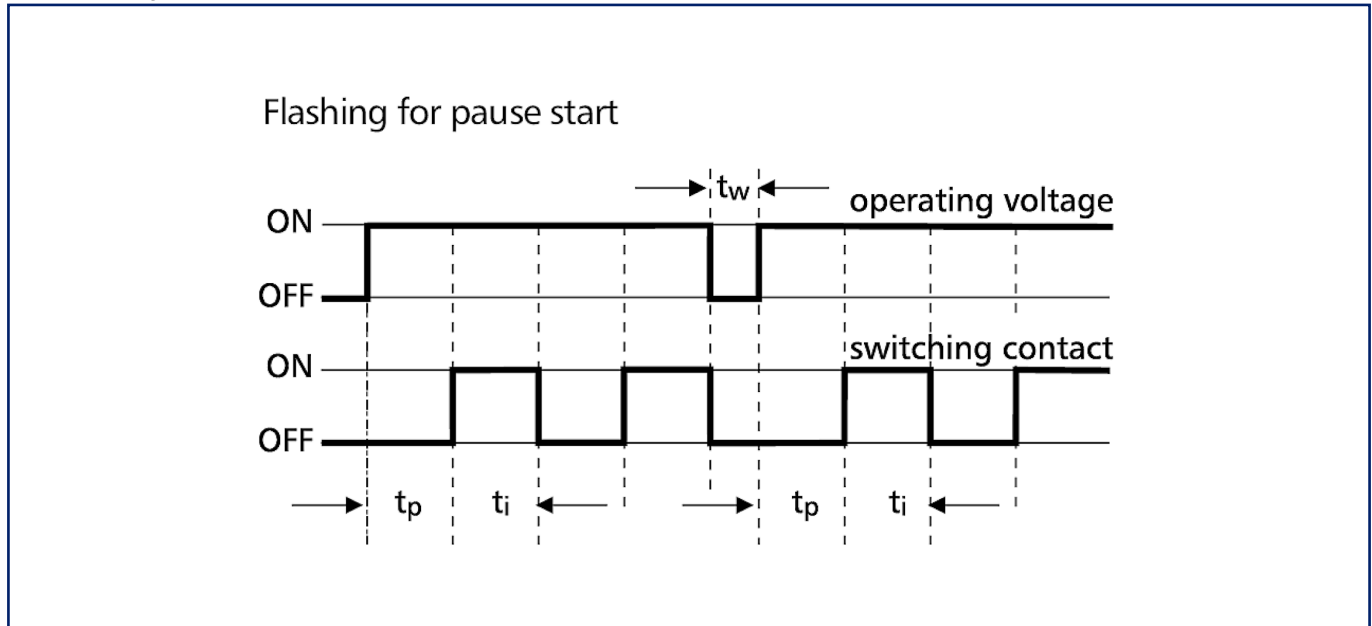


Function diagram

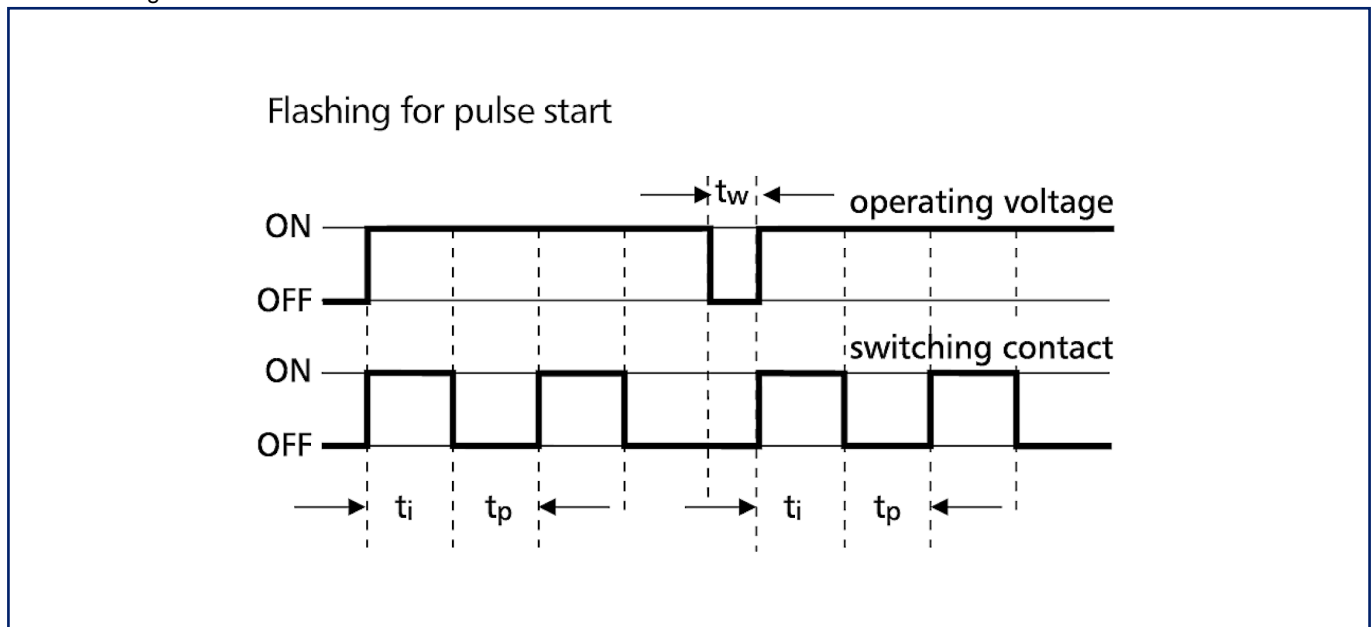


Illustrations

Function diagram



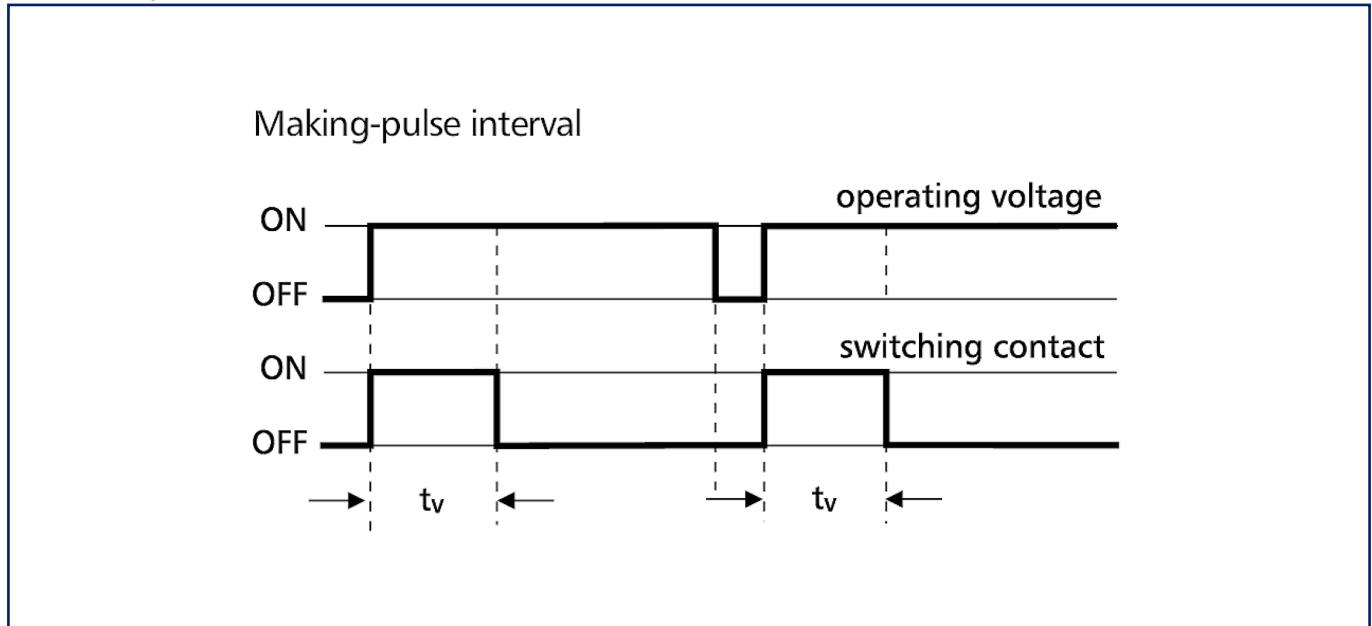
Function diagram



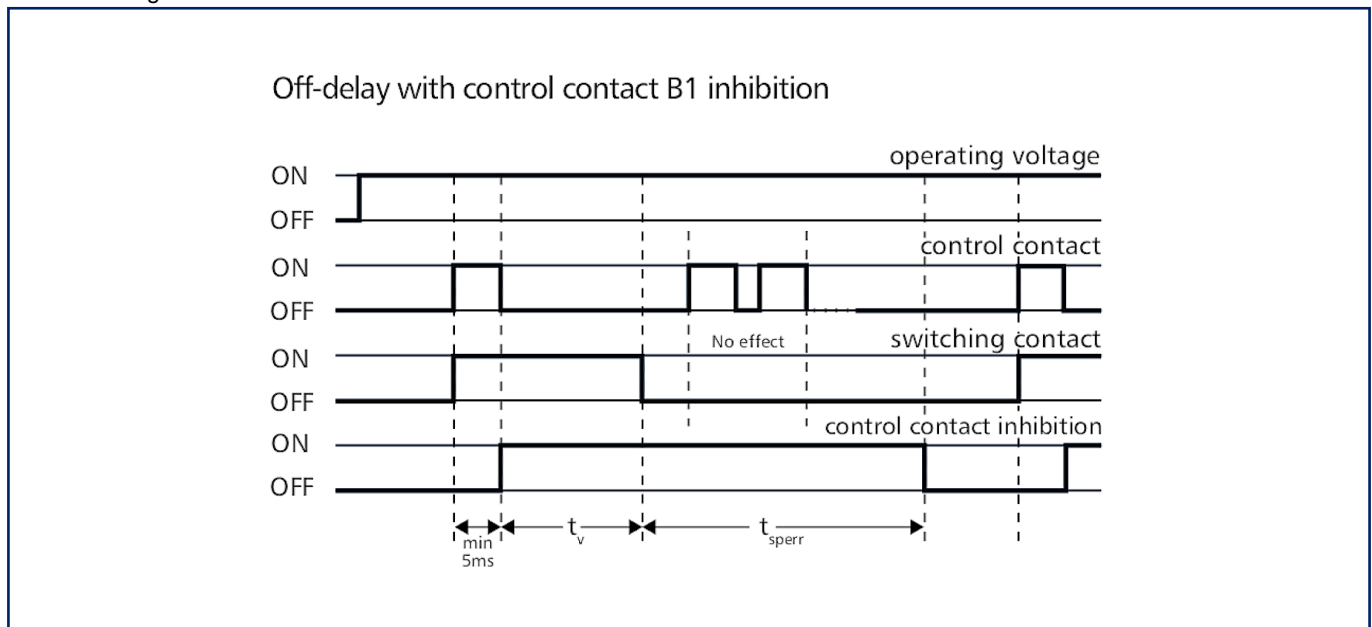
© 2023 METZ CONNECT - Technische Änderungen vorbehalten! Subject to modifications! Sous réserve de modifications techniques!

Illustrations

Function diagram

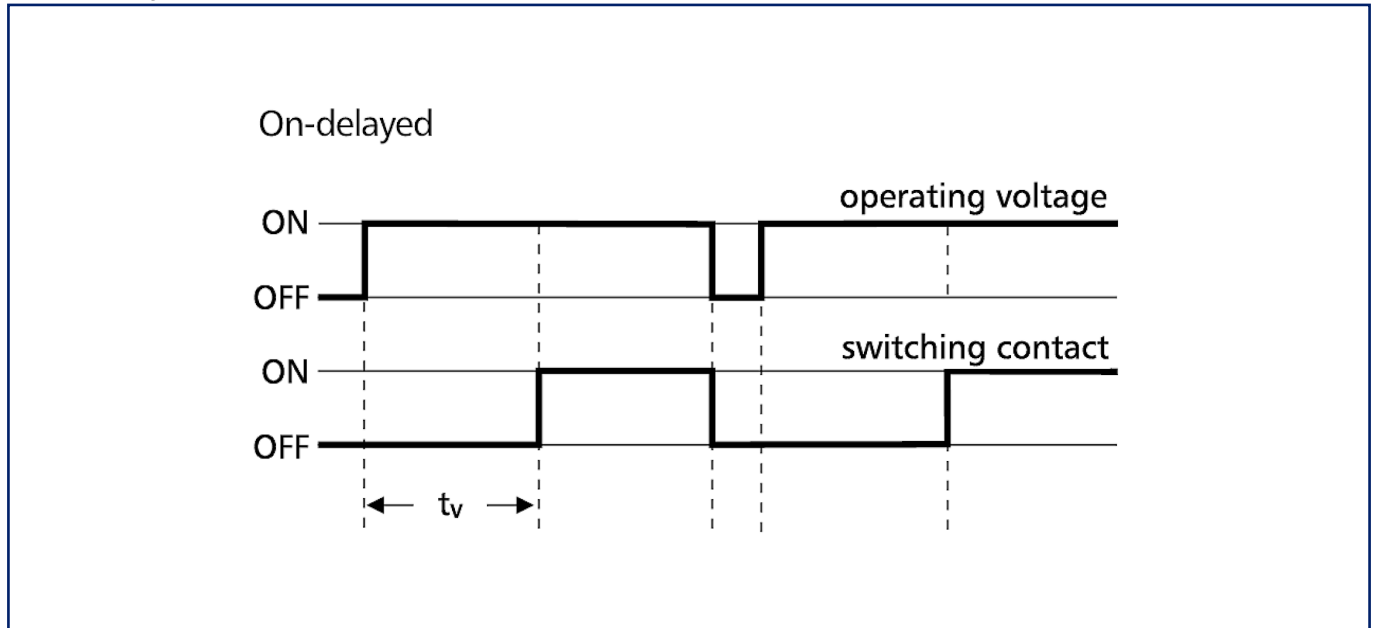


Function diagram



Illustrations

Function diagram



Function diagram

