



Datenblatt - Fiche technique - Data sheet

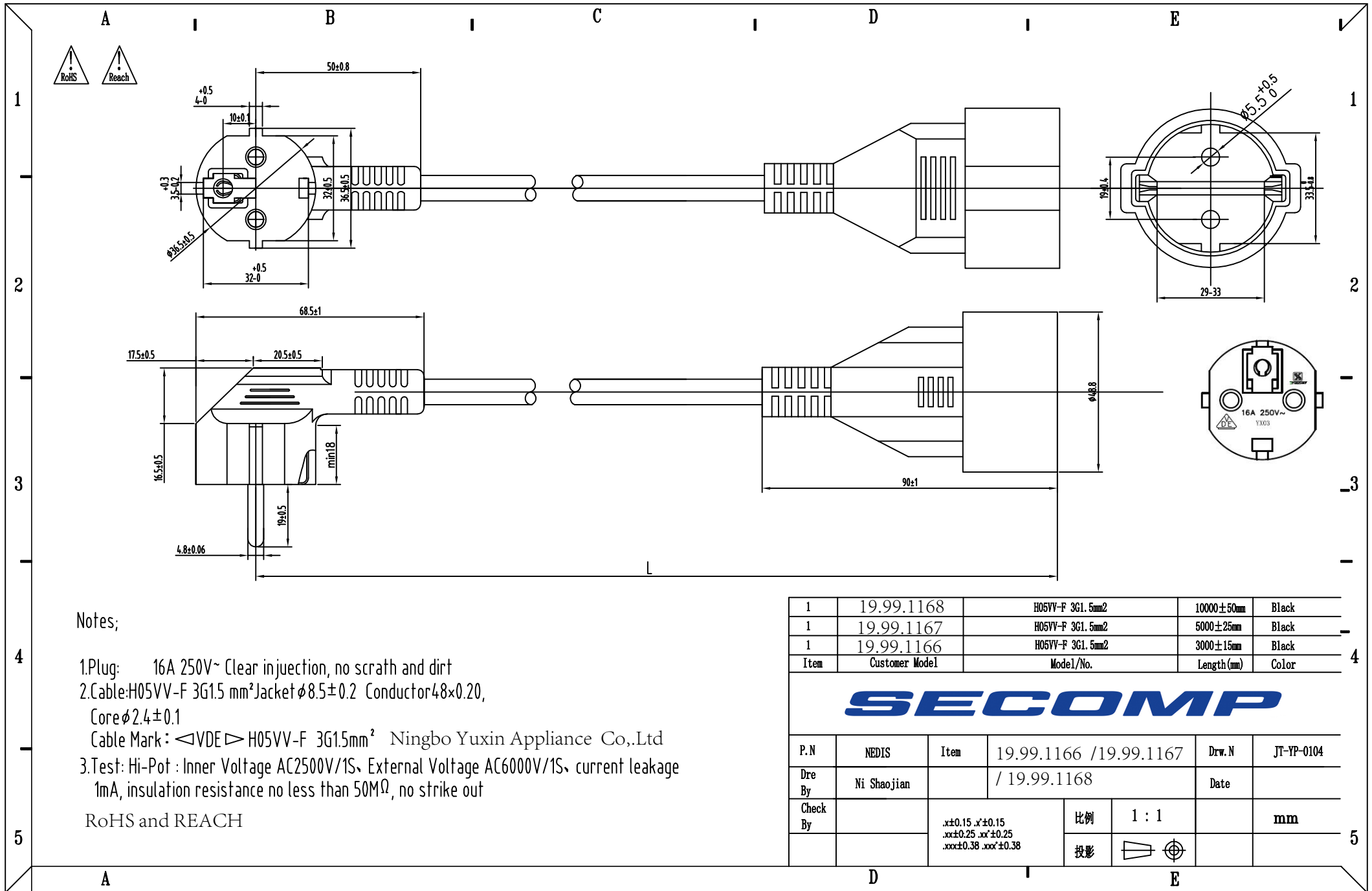
**19.99.1166**



VALUE Schutzkontakt-Verlängerungskabel, 230VAC, schwarz, 3,0 m

VALUE AC230V Câble prolongateur, prises type SCHUKO, noir, 3,0 m

VALUE Extension Cable with Schuko connectors, AC 230V, black, 3.0 m



Notes;

- 1.Plug: 16A 250V~ Clear injection, no scratch and dirt
- 2.Cable:H05VV-F 3G1.5 mm<sup>2</sup>Jacket  $\phi$ 8.5 $\pm$ 0.2 Conductor48 $\times$ 0.20, Core  $\phi$ 2.4 $\pm$ 0.1  
Cable Mark : <math>\triangleleft VDE \triangleright</math> H05VV-F 3G1.5mm<sup>2</sup> Ningbo Yuxin Appliance Co.,Ltd
- 3.Test: Hi-Pot : Inner Voltage AC2500V/1S、 External Voltage AC6000V/1S、 current leakage 1mA, insulation resistance no less than 50M $\Omega$ , no strike out

RoHS and REACH

1	19.99.1168	H05VV-F 3G1.5mm <sup>2</sup>	10000 $\pm$ 50mm	Black
1	19.99.1167	H05VV-F 3G1.5mm <sup>2</sup>	5000 $\pm$ 25mm	Black
1	19.99.1166	H05VV-F 3G1.5mm <sup>2</sup>	3000 $\pm$ 15mm	Black
Item	Customer Model	Model/No.	Length(mm)	Color

**SECOMP**

P.N	NEDIS	Item	19.99.1166 /19.99.1167	Drw.N	JT-YP-0104
Dre By	Ni Shaojian		/ 19.99.1168	Date	
Check By		.x $\pm$ 0.15 .x' $\pm$ 0.15 .xx $\pm$ 0.25 .xx' $\pm$ 0.25 .xxx $\pm$ 0.38 .xxx' $\pm$ 0.38	比例	1 : 1	mm
			投影		