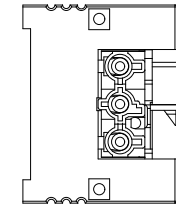
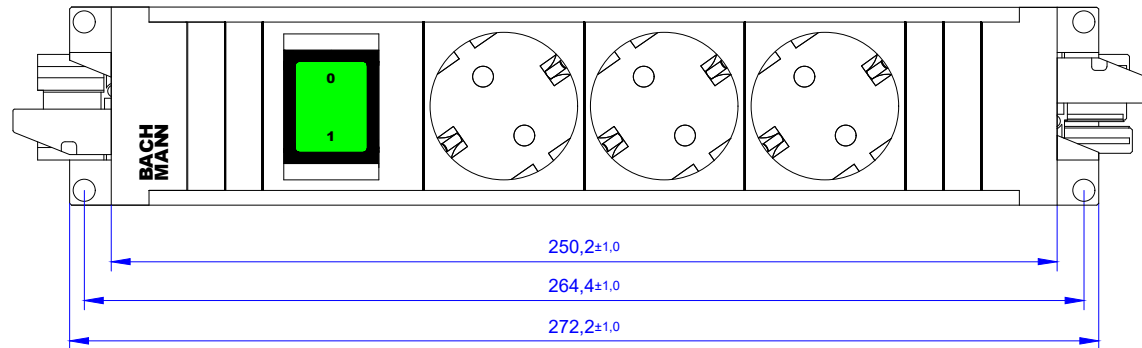
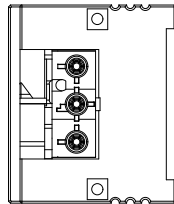
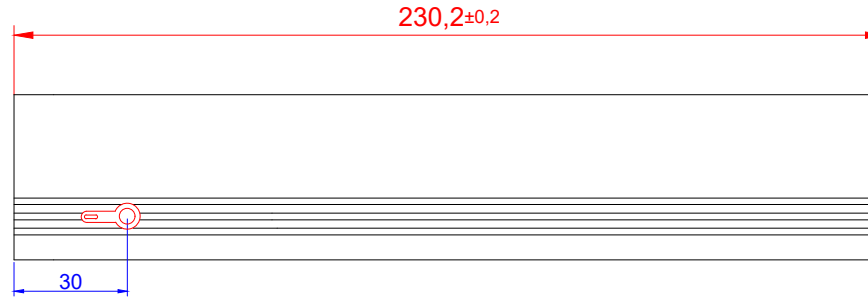
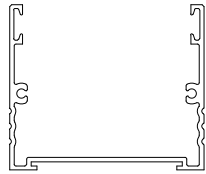


906.18803



Werkstoff / Material: siehe Einzelteilelook at the single parts		Gewicht / Weight: Bezeichnung / Title: STEP ALU 1xSchalter 3xCCE/73	Oberfläche / Surface:	Winkel +/- 0,5° Angle +/- 0,5°
Datum 09.01.2023	Name Goga	Freimaßtoleranz / General Tolerance:		
Gezeichnet / Drawn	Prüfung / Examined	0-1	+/- 0,05	
Entworfen / Designed	Freigegeben / Approved	>1-7	+/- 0,10	
09.01.2023	Rusu	>7-15	+/- 0,15	
Zeichn.Nr / Draw.-No:		>15-30	+/- 0,20	
		>30	+/- 0,25	
Art.Nr.: 906.18803		Maßstab / Scale: 1:1	Format / Draw.-Size: A2	Blatt / Sheet: 1
BACH MANN <small>Status / State: Änderungen / Changes Datum / Date Name / Name</small>		<small>The reproduction, distribution and utilization of this document as well as the communication of its contents to others without express authorization is prohibited. Offenders will be held liable for the payment of damages. All rights reserved in the event of the grant of a patent, utility model or design.</small>		