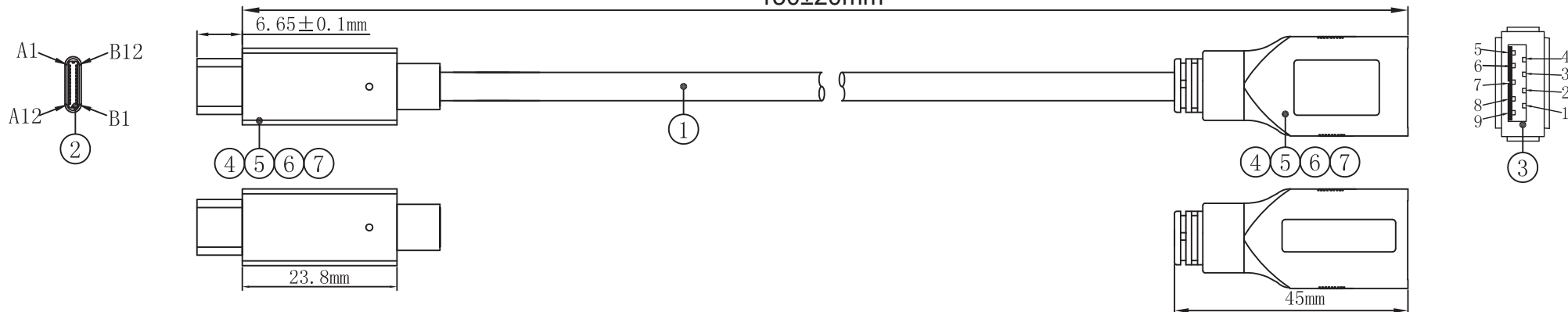


USB Type C Plug

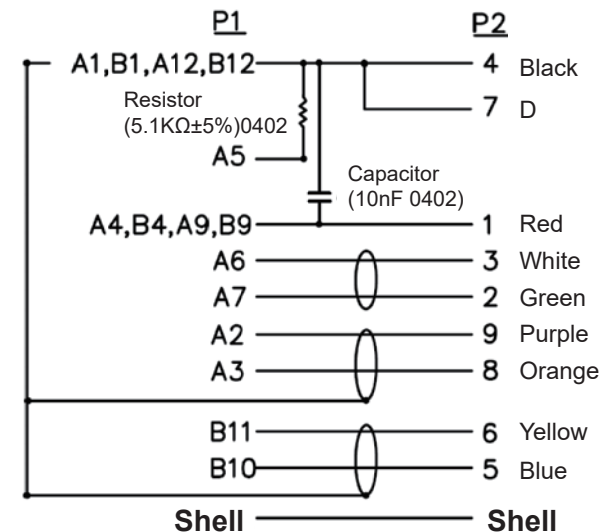
USB3.2 Gen1x1 AF



Specification :

- 1 Cable UL2725, (1P*32AWG+D+AL+MY)*2C+1P*32AWG+2C*24AWG+F+ADB, OD:4.2±0.2mm, Jacket: PVC, Color: Black, RoHS
- 2 Conn. USB3.2 Gen1x1 Type C Plug, Shell: Nickel Plated, RoHS
- 3 Conn. USB3.2 Gen1x1 AF, Shell: Nickel Plated, RoHS
- 4 Solder Lead-Free Tin Wire, OD:0.8mm, 1000G, RoHS
- 5 Tube Black Heat-Shrink OD:0.8mm, RoHS
- 6 Inner Molding LD-PE 950 RoHS
- 7 Outer Molding PVC: Black 45P, RoHS

Pin Assignment



Rev.	Date	Contents of Change	Designer	Tol±										Approve	Check	Draw	Design	Product Name	Product No.		
				Range	Pla	Met	Ins	Por	Cab	Pac	Gas	Dis	11.02.9030						R00		
△				0~6	0.1	0.1	0.1	0.2	0.5	1	0.5	0.2	Allen	Allen	Philip	ROLINE USB3.2 Gen1x1, CM-AF, OTG, 0.15m, black	11.02.9030				
△				6~30	0.1	0.1	.15	.25	1	1	0.5										
△				30~80	0.1	.15	0.2	0.3	2	1.5	1	0.3									
△				80~180	.15	.15	.25	0.3	2	2	1	.45									
△				180~315	.15	0.2	0.3	0.4	2.5	2	1	0.6									
△				315~800	0.2	0.3	0.4	0.5	3	3	2	1.1	Scale	1:1	Unit	mm	SECOMP				